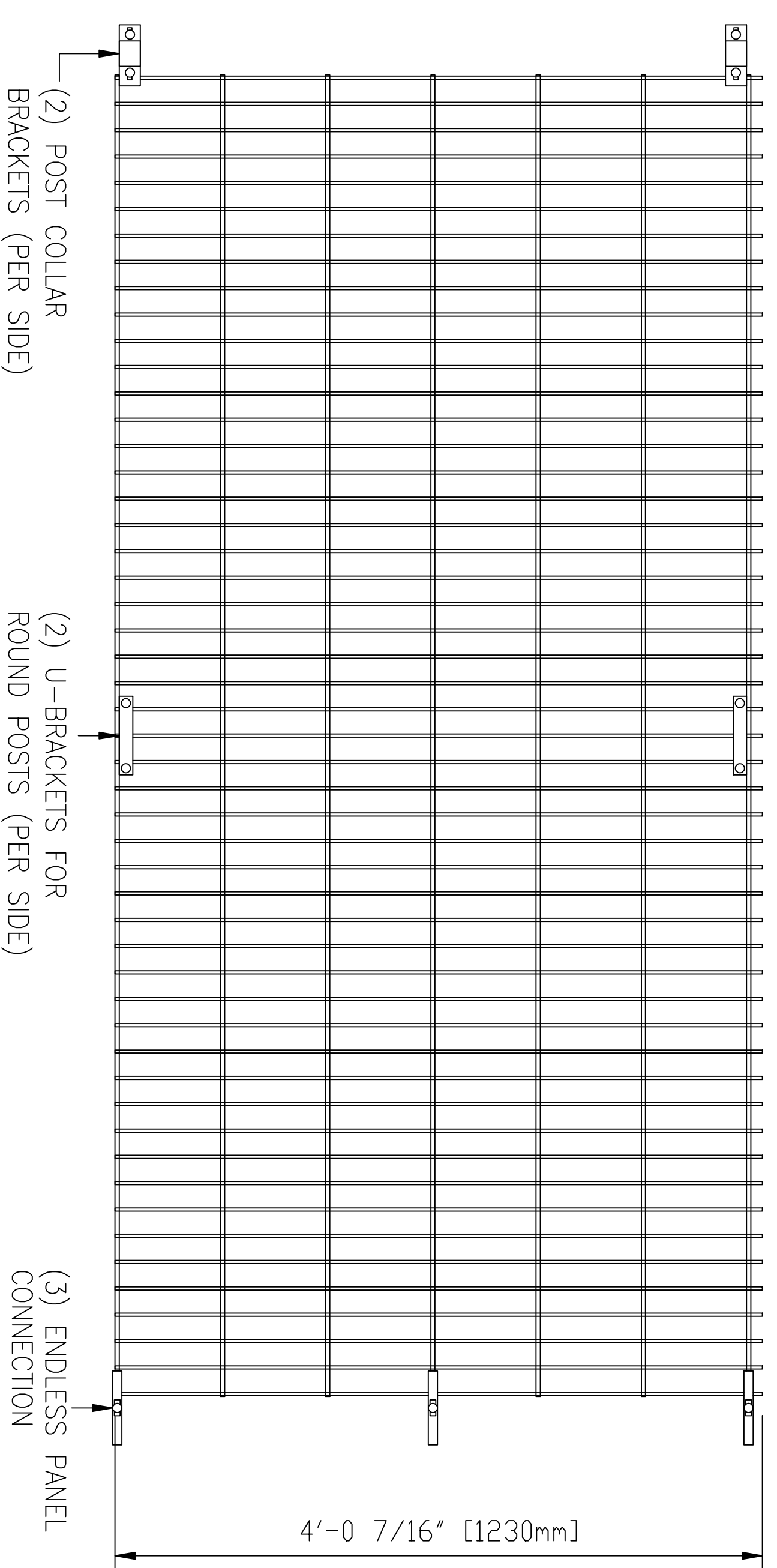
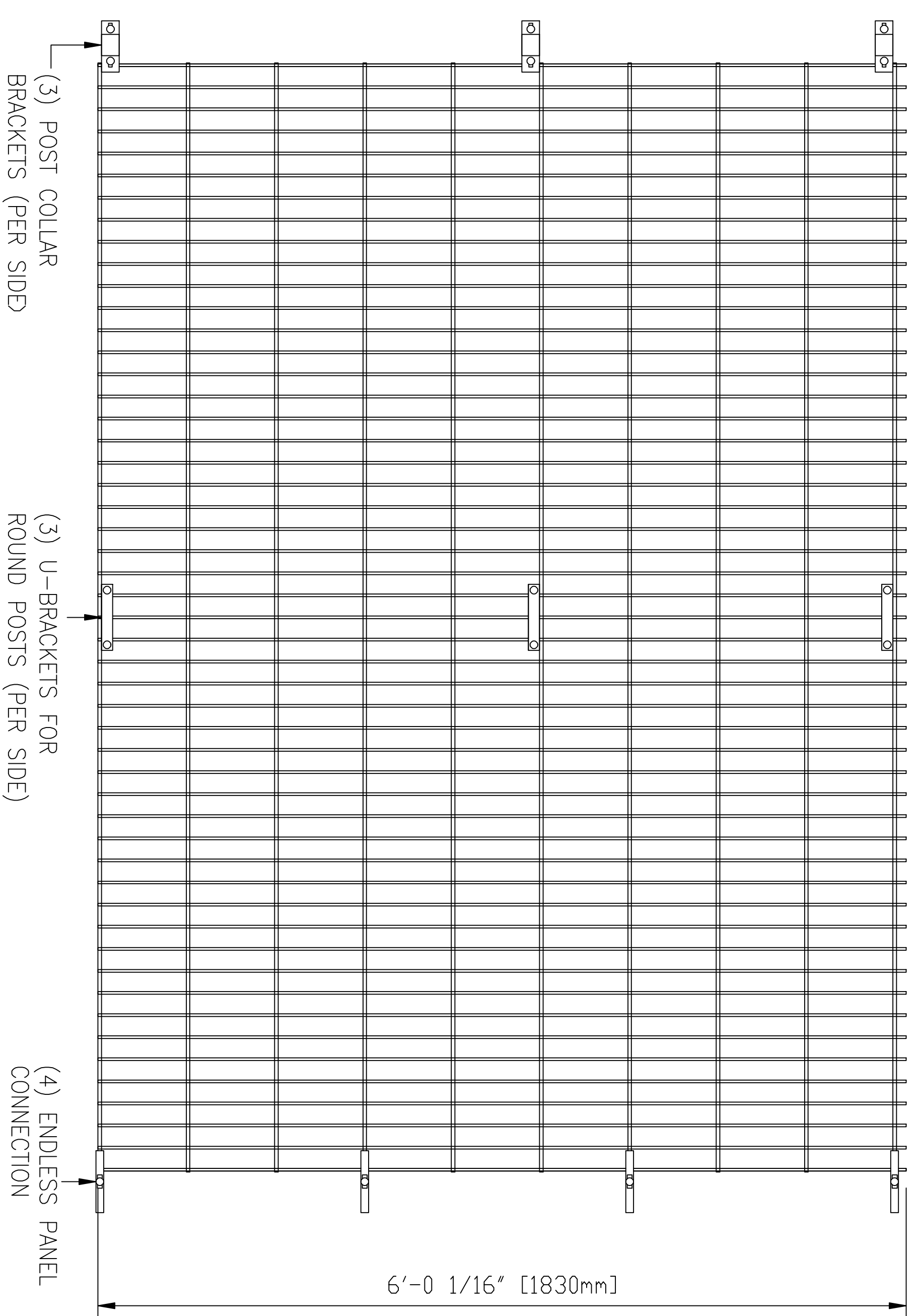
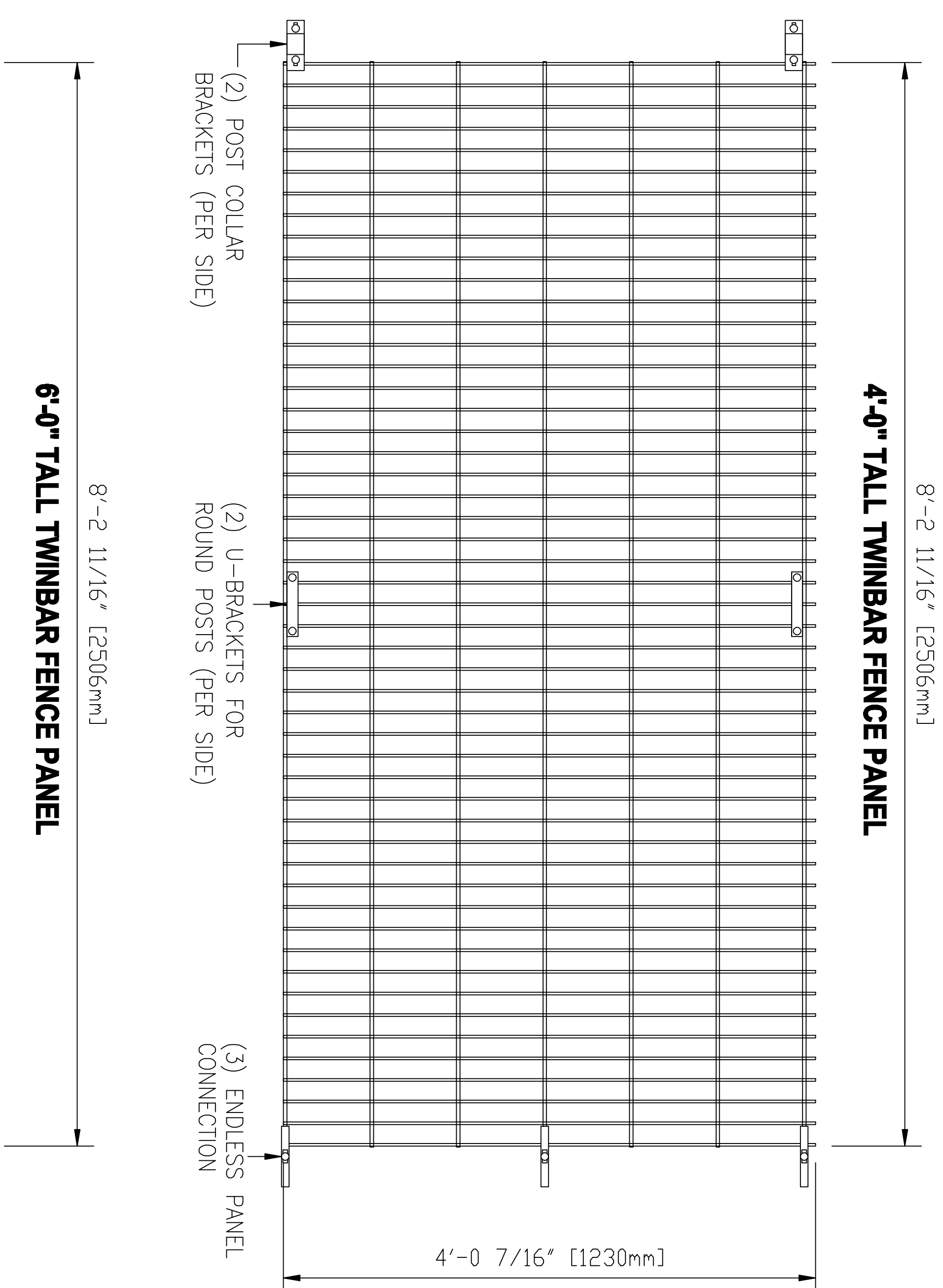
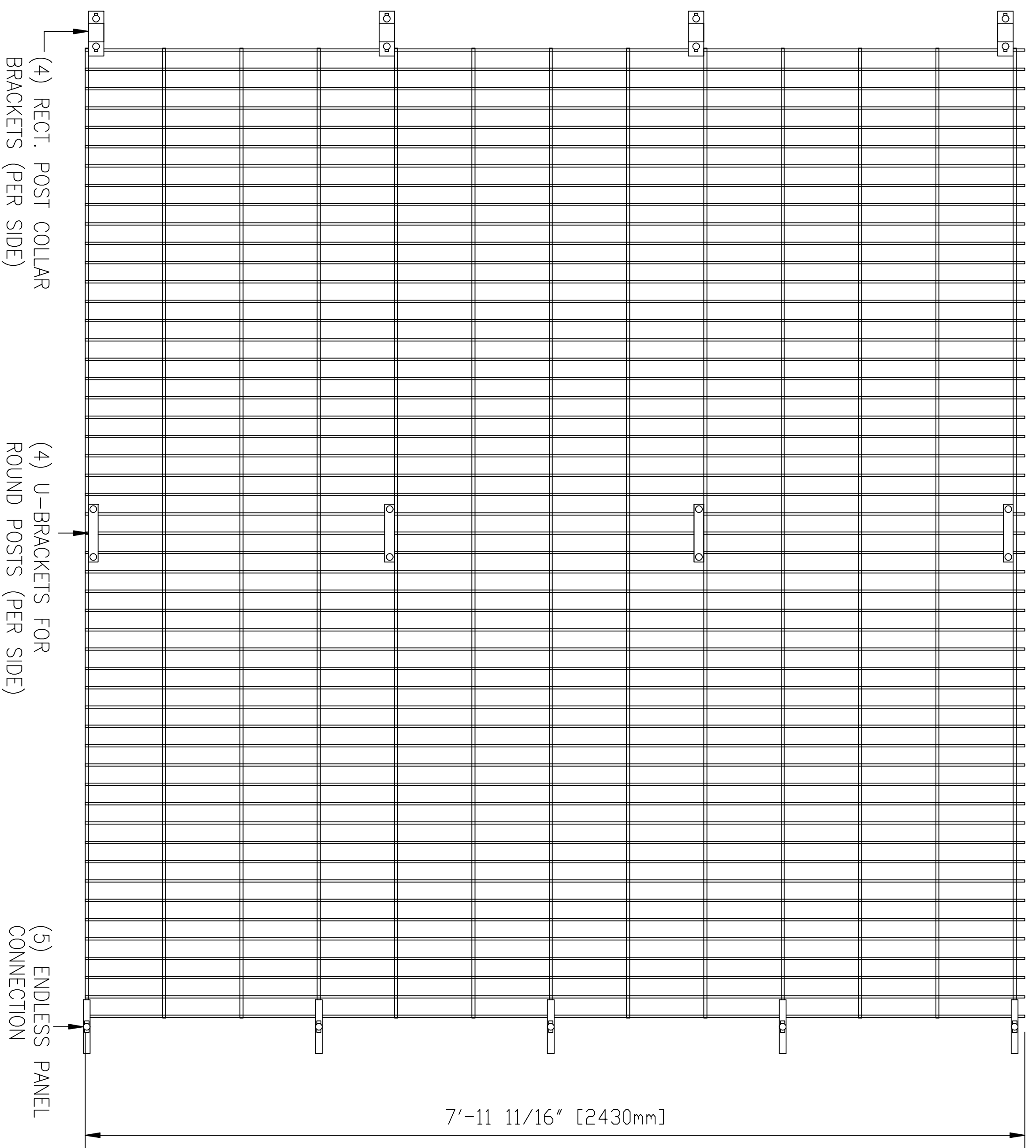
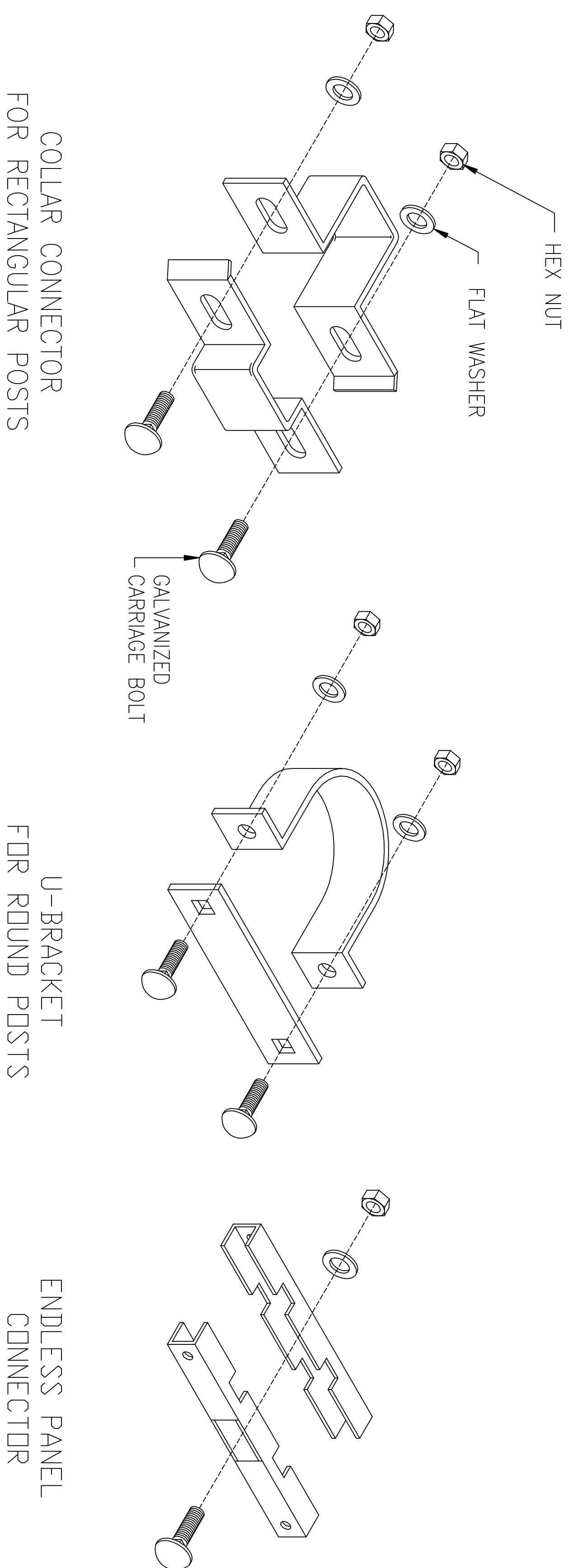


POST CONNECTION BRACKETS



THIS DRAWING IN DESIGN AND DETAIL ARE SOLE PROPERTY OF METALCO (ATLANTIS PRODUCTS, INC.) AND MAY NOT BE USED FOR ANY PURPOSE WHATSOEVER OTHER THAN FOR OUR MANUFACTURING FACILITY AND INSTALLATION OF OUR PRODUCTS. THIS DOCUMENT NOR ANY PART THEREOF MAY NOT BE REPRODUCED IN ANY MANNER WHATSOEVER AND SHALL BE RETURNED TO US UPON REQUEST. ALL RIGHTS RESERVED.

DATE SENT _____ INITIALS _____

REV NO	REVISED ITEMS	REV BY	REV DATE
△			
△			
△			
△			

CONTENTS:
TWINBAR FORTRESS POST CONNECTION

metalco[®]
8185 SOUTH CASS AVENUE
DARIEN, IL 60561
TEL.(630) 971-9680 FAX.(630) 971-9860

PROJECT: **TWINBAR FORTRESS FENCE SYSTEM POST CONNECTIONS**
ADDRESS: _____
DRAWN BY: _____ CHECKED BY: _____
SCALE: _____ DATE: 11.12.07
F.C. _____

JOB NO. _____
TW-CONN
SHEET NO. _____
1 OF 1
AI