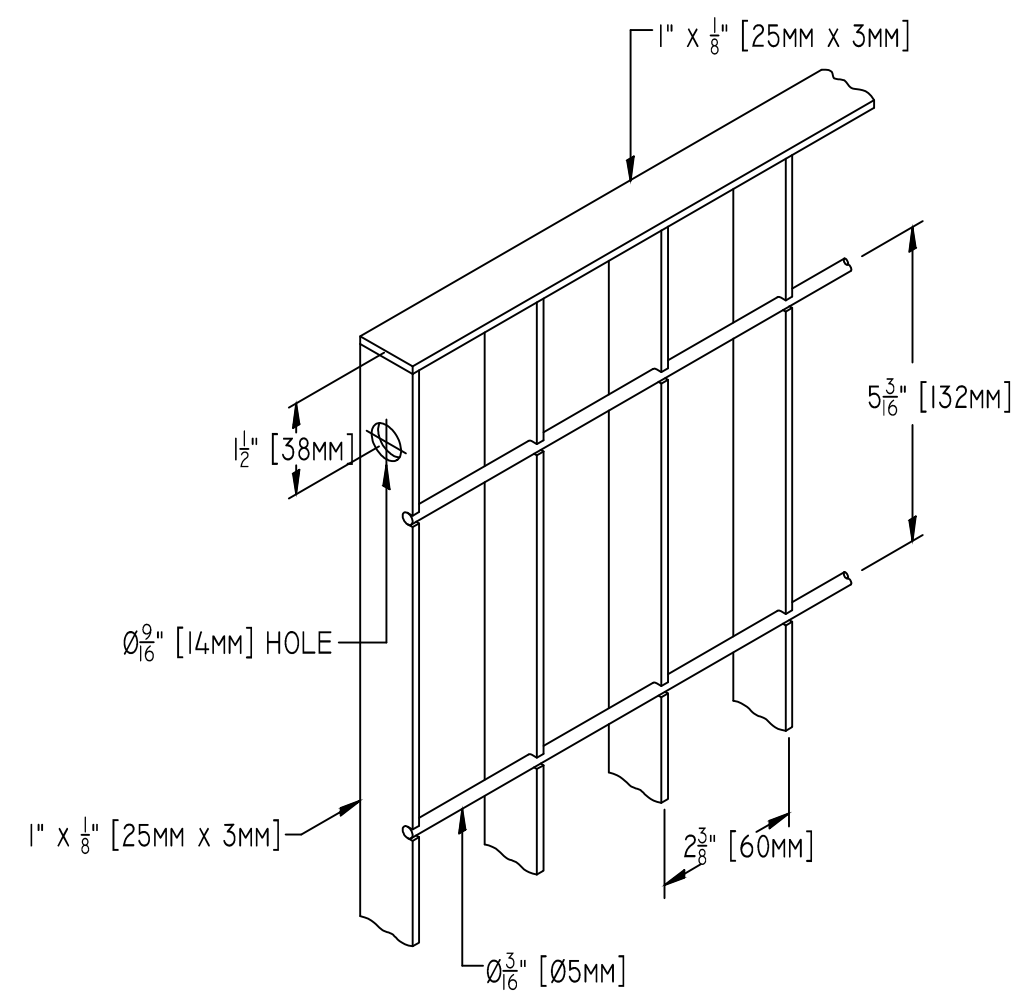
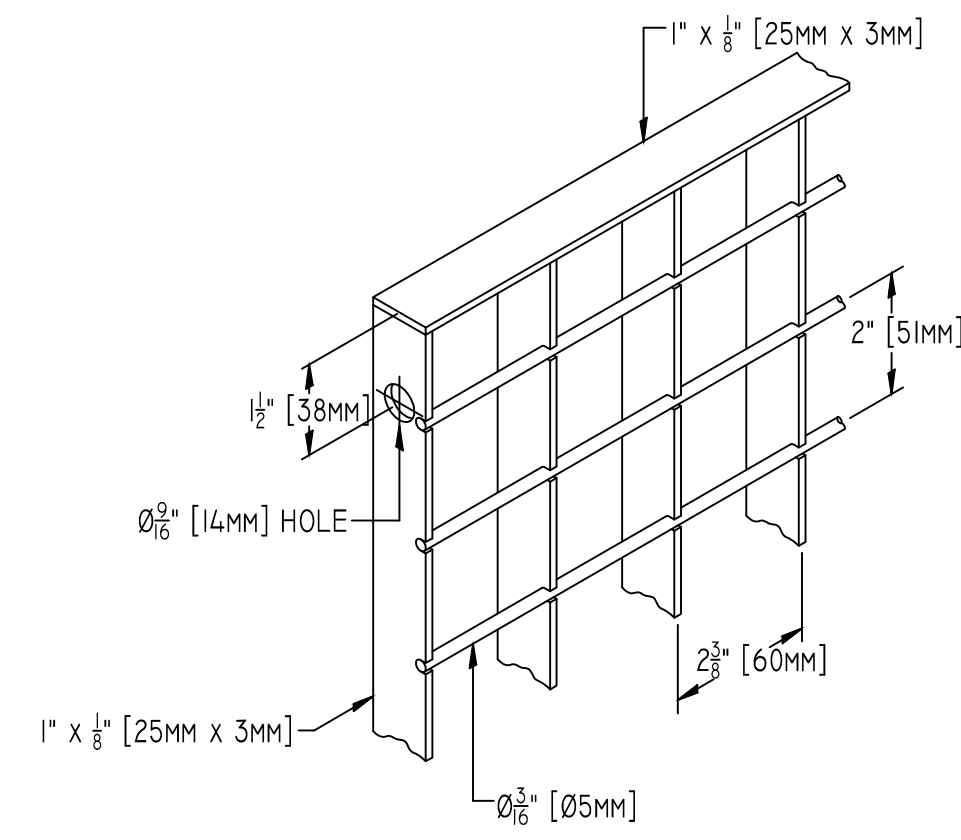


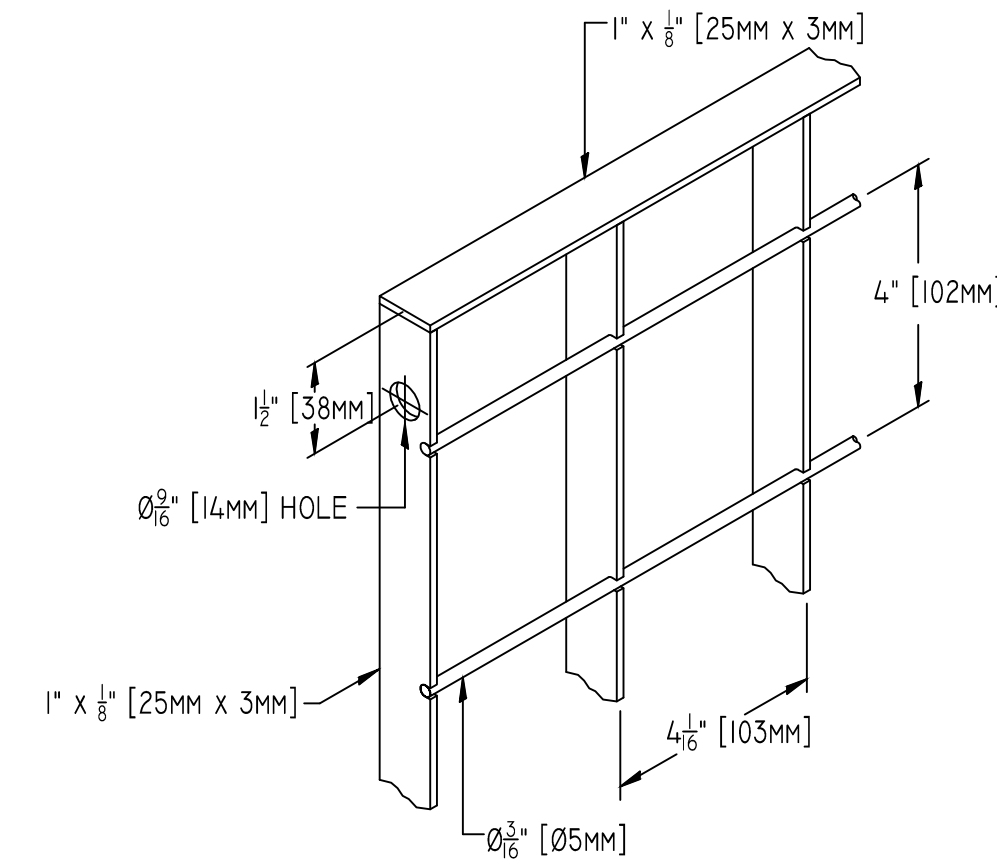
metalco®



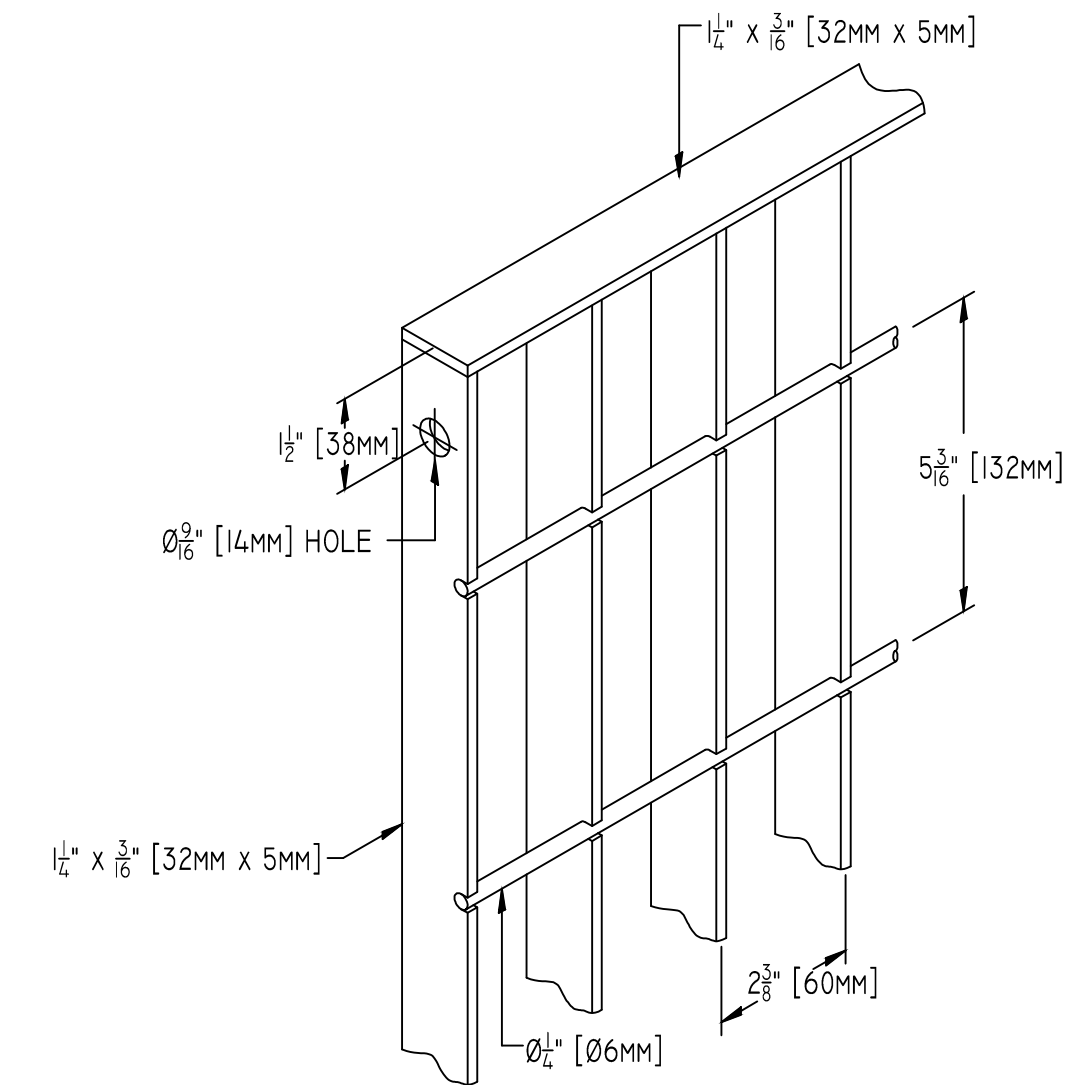
1
AI SCALE: N.T.S.
PANEL DETAIL GRIGLIATO "A"
FOR SPACER ATTACHMENT



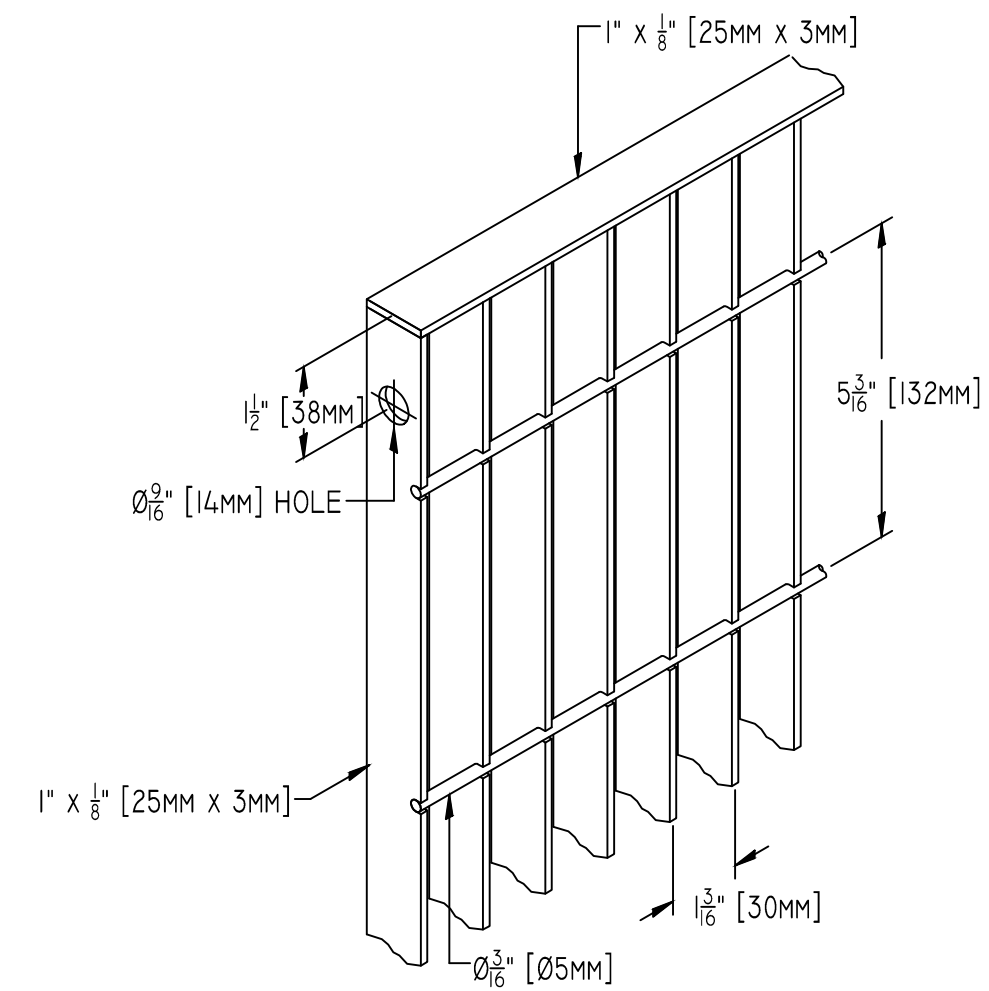
2
AI SCALE: N.T.S.
PANEL DETAIL GRIGLIATO "B"
FOR SPACER ATTACHMENT



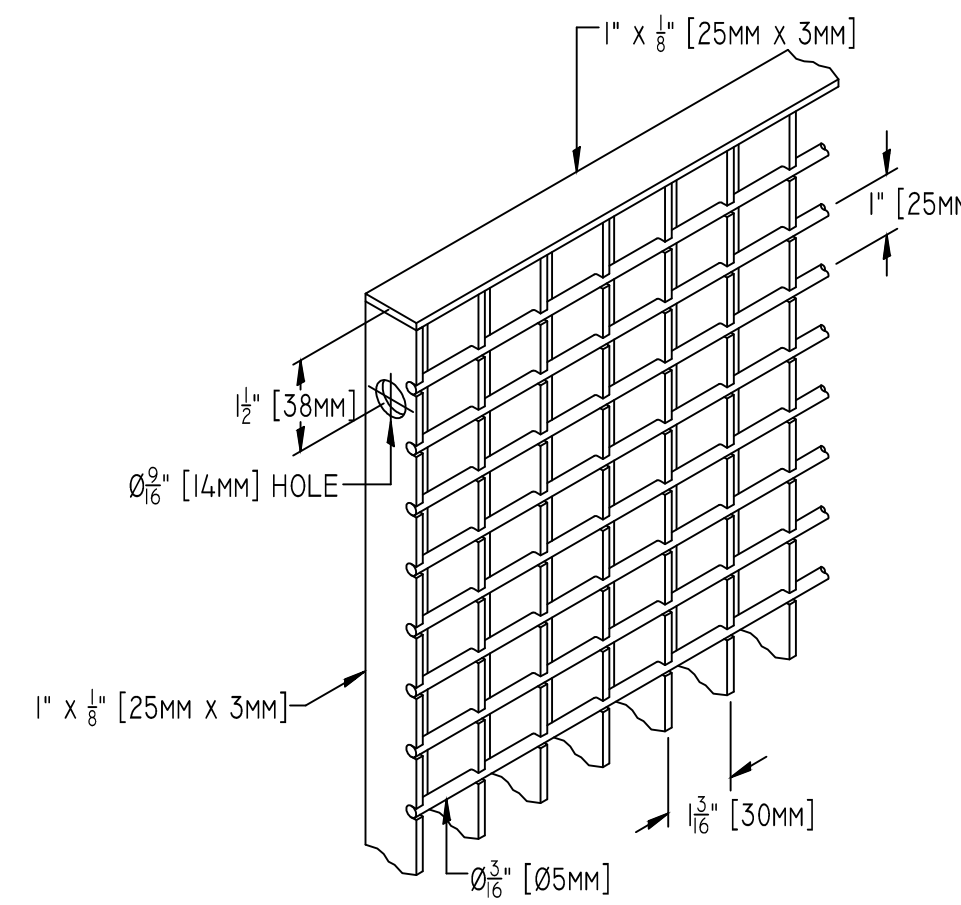
3
AI SCALE: N.T.S.
PANEL DETAIL GRIGLIATO "C"
FOR SPACER ATTACHMENT



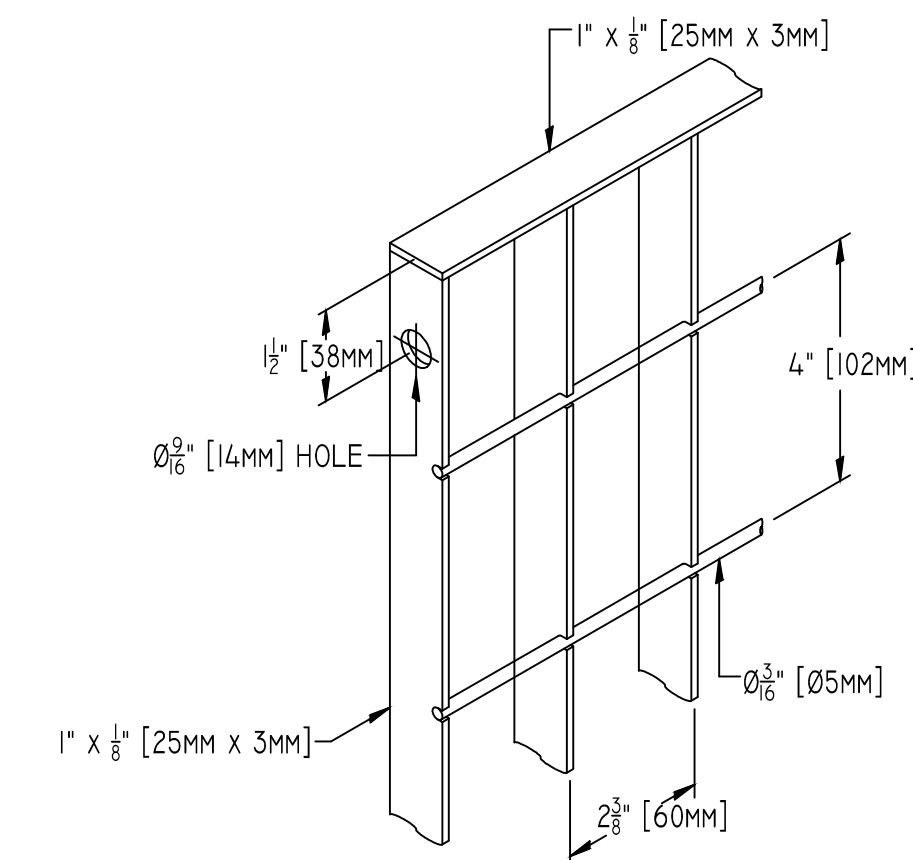
4
AI SCALE: N.T.S.
PANEL DETAIL GRIGLIATO "D"
FOR SPACER ATTACHMENT



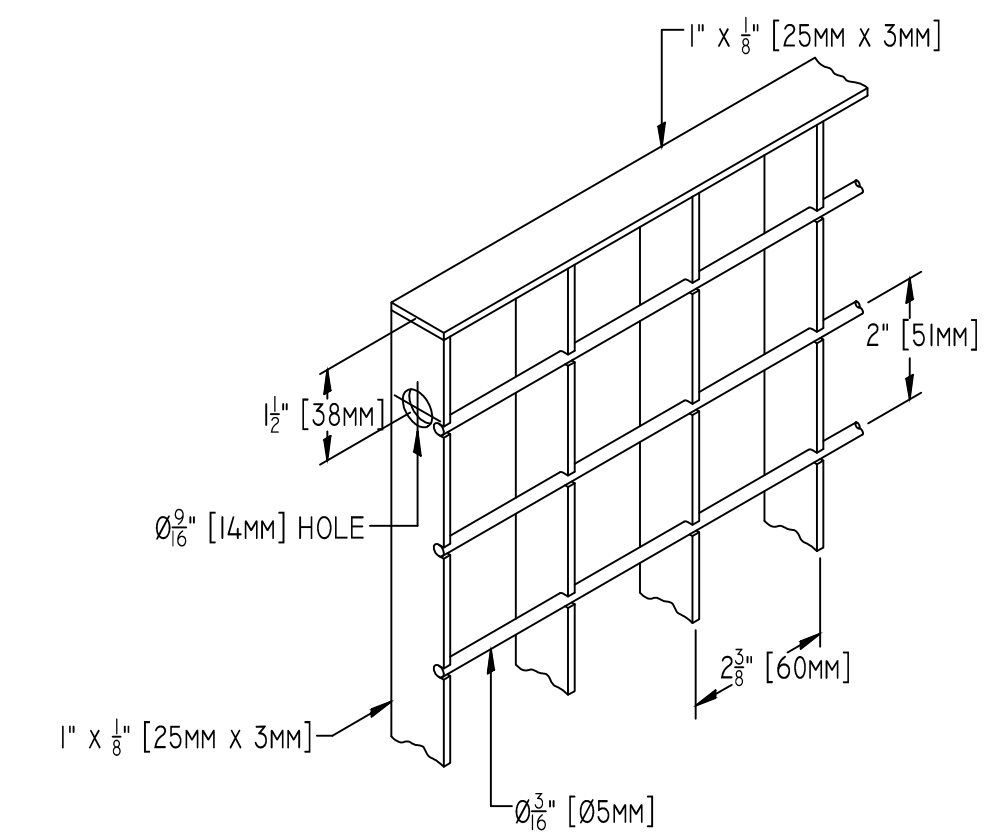
5
AI SCALE: N.T.S.
PANEL DETAIL GRIGLIATO "E"
FOR SPACER ATTACHMENT



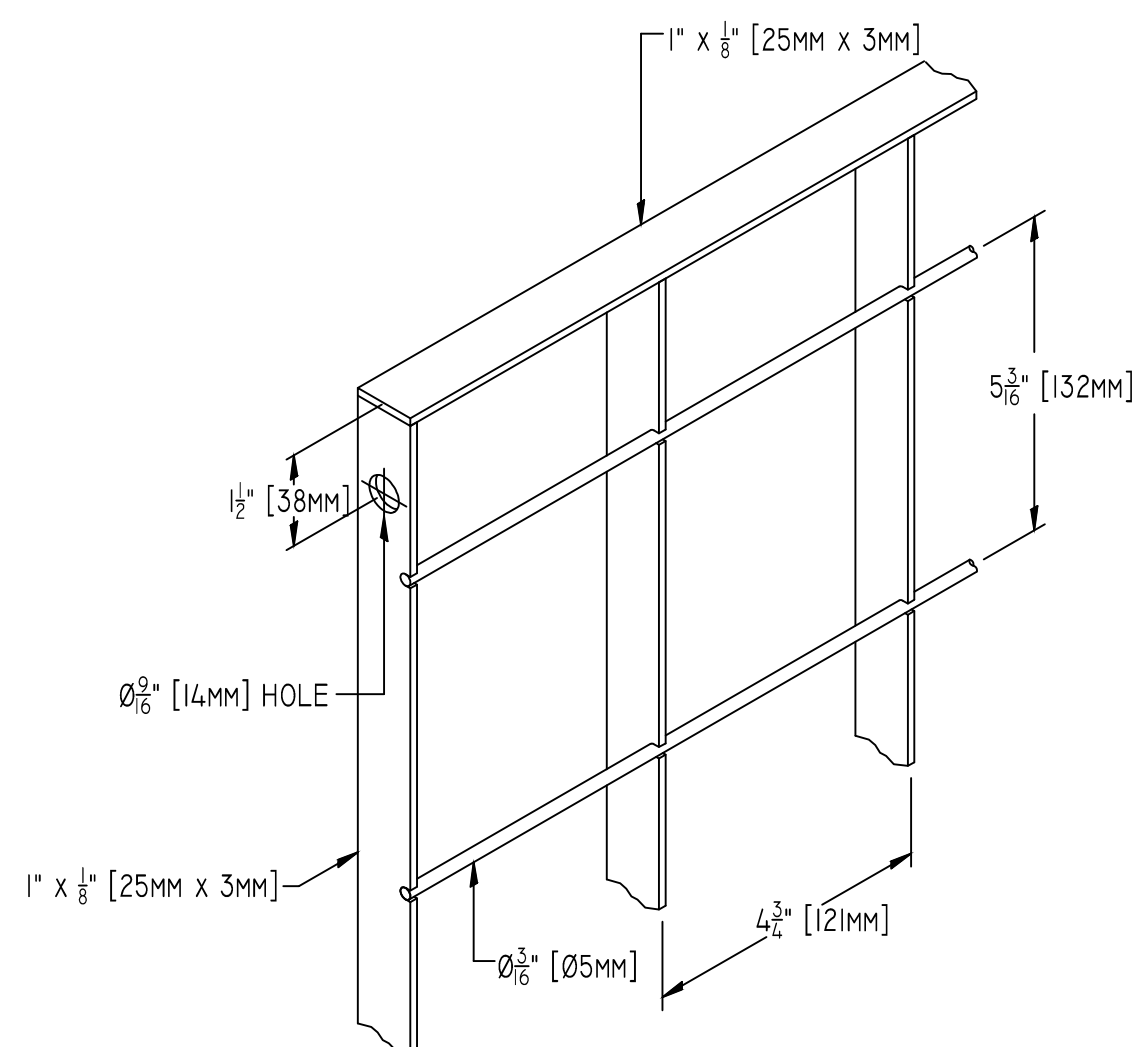
6
AI SCALE: N.T.S.
PANEL DETAIL GRIGLIATO "F"
FOR SPACER ATTACHMENT



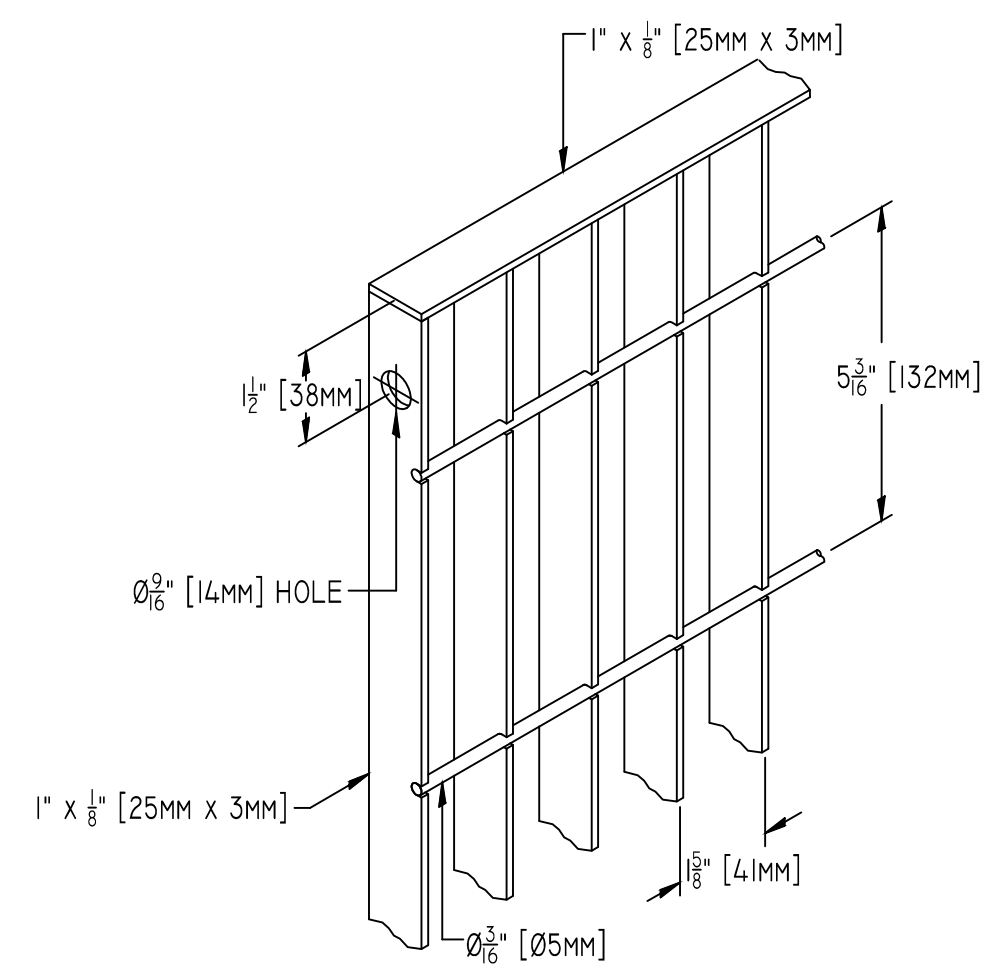
7
AI SCALE: N.T.S.
PANEL DETAIL GRIGLIATO "G"
FOR SPACER ATTACHMENT



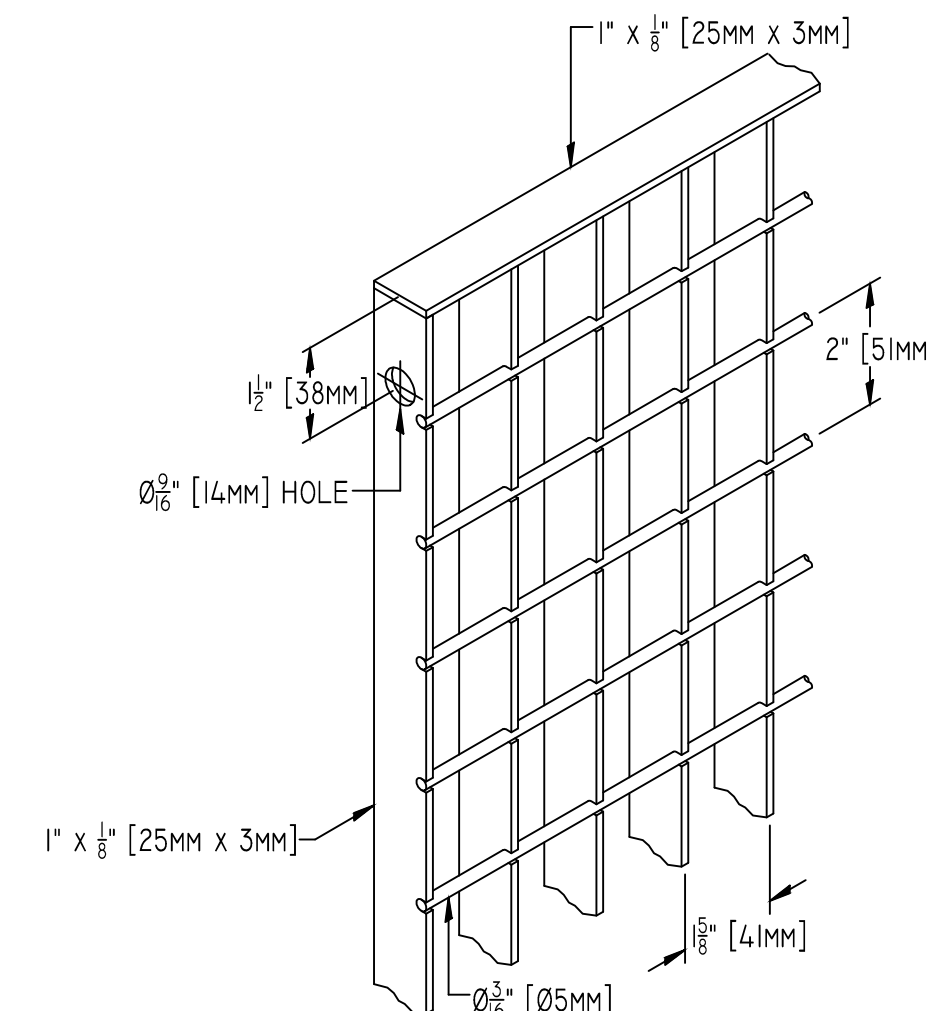
8
AI SCALE: N.T.S.
PANEL DETAIL GRIGLIATO "H"
FOR SPACER ATTACHMENT



9
AI SCALE: N.T.S.
PANEL DETAIL GRIGLIATO "J"
FOR SPACER ATTACHMENT



10
AI SCALE: N.T.S.
PANEL DETAIL GRIGLIATO "K"
FOR SPACER ATTACHMENT



11
AI SCALE: N.T.S.
PANEL DETAIL GRIGLIATO "L"
FOR SPACER ATTACHMENT

THIS DRAWING IN DESIGN AND DETAIL IS THE SOLE PROPERTY OF METALCO (ATLANTIS PRODUCTS, INC.) AND MAY NOT BE USED FOR ANY PURPOSE WHATSOEVER OTHER THAN FOR OUR MANUFACTURING FACILITY AND INSTALLATION OF OUR PRODUCTS. THIS DOCUMENT OR ANY PART THEREOF MAY NOT BE REPRODUCED IN ANY MANNER WHATSOEVER AND SHALL BE RETURNED TO US UPON REQUEST. ALL RIGHTS RESERVED.

DATE SENT _____ INITIALS _____

REV. NO.	REV. DATE

CONTENTS:
PANEL DETAIL GRIGLIATO WITH SPACER ATTACHMENTS

metalco®
566 TERRITORIAL DRIVE - UNIT H
BOLINGBROOK, IL 60440
TEL: (630) 971-9680 FAX: (630) 971-9860

PROJECT: TYPICAL GRIGLIATO FENCE SYSTEM WITH ATTACHMENT HOLES
ADDRESS:

DRAWN BY: BHD
CHECKED BY: FC

SCALE: AS NOTED
DATE: 05/17/11

JOB NO.: D-GLTO-S

SHEET NO.: AI