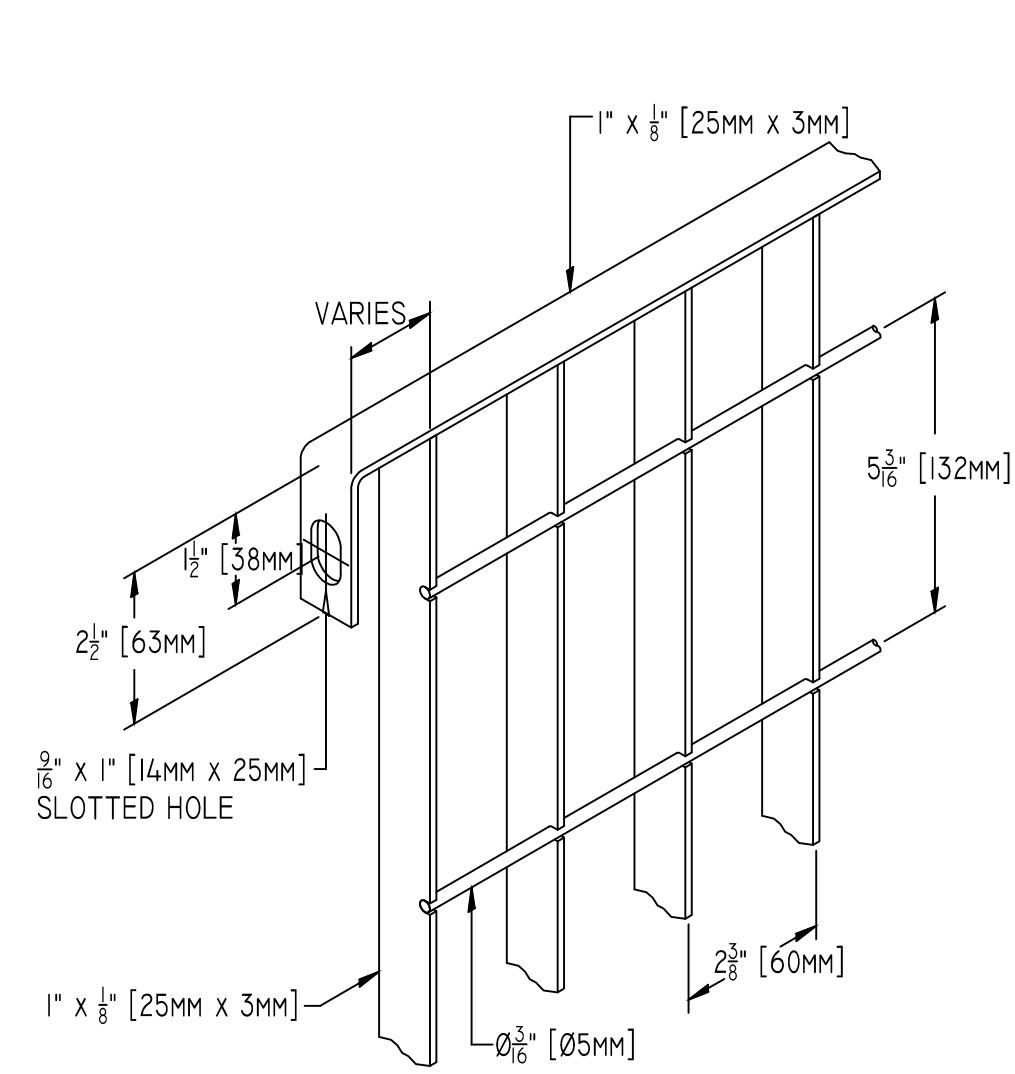
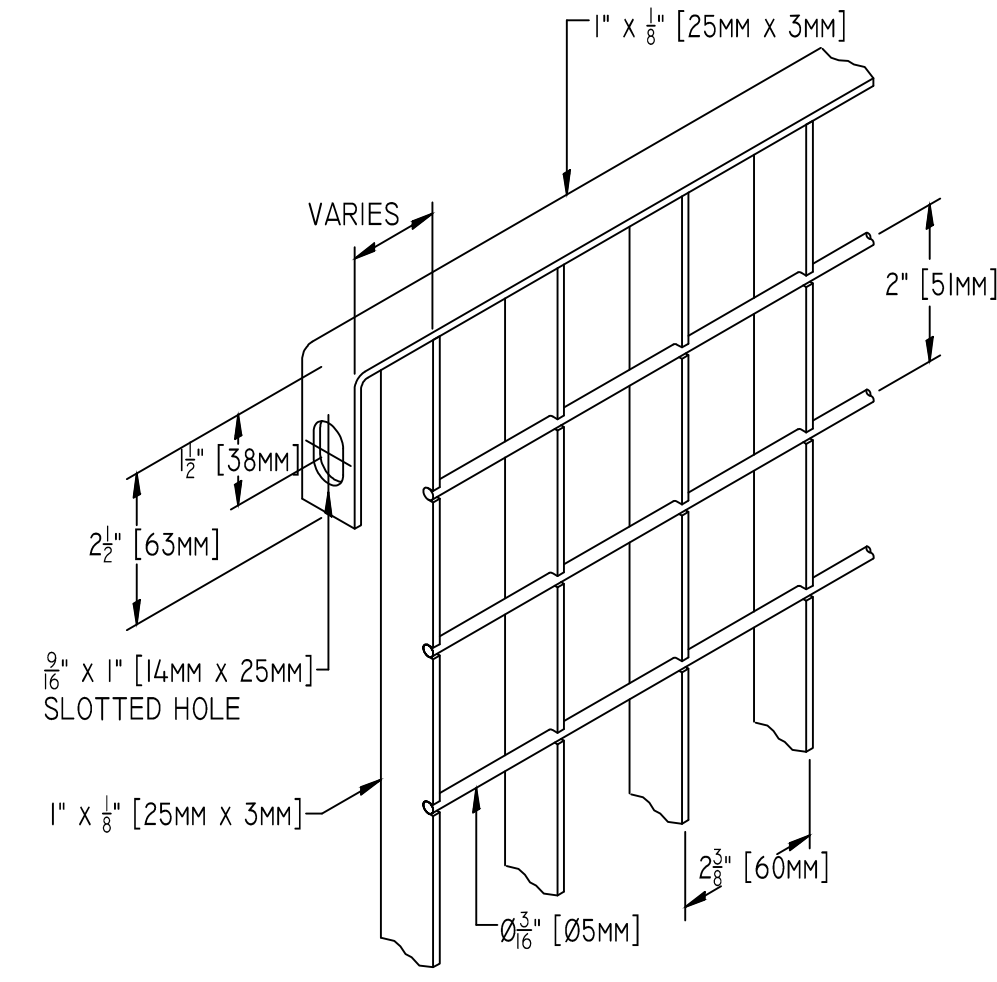


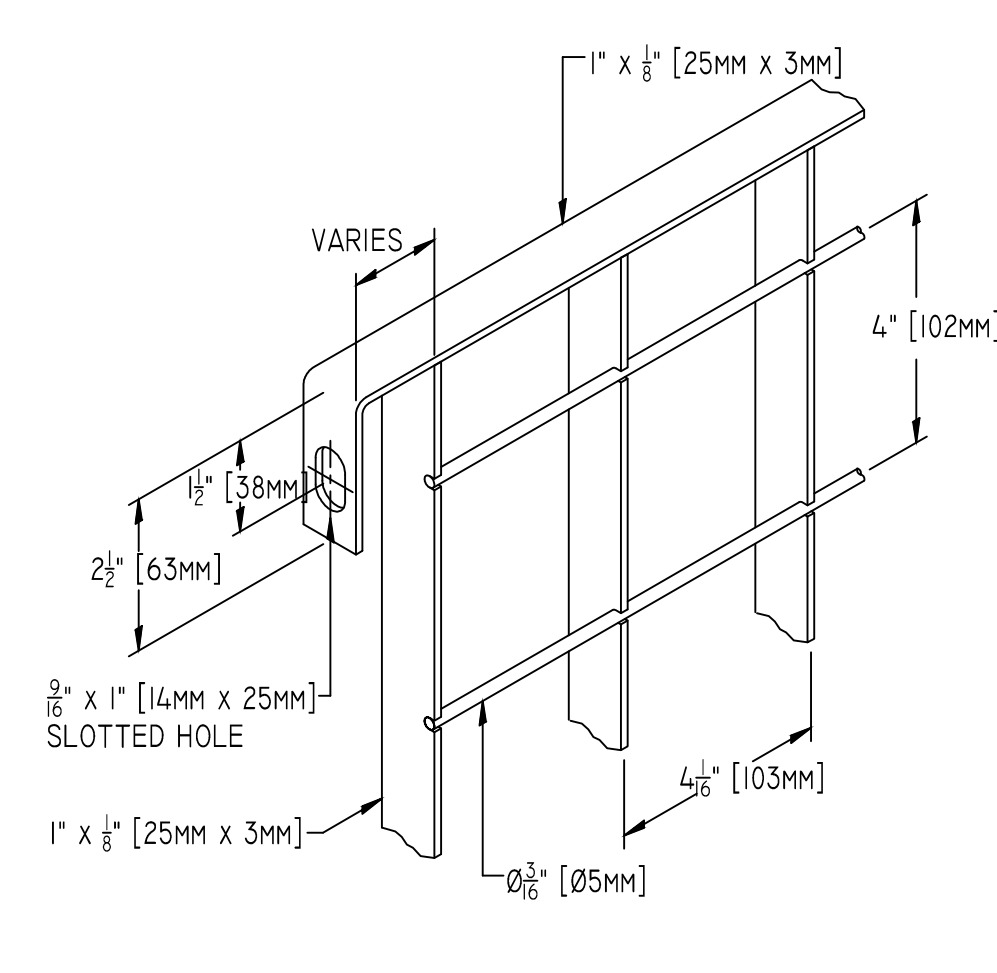
metalco®



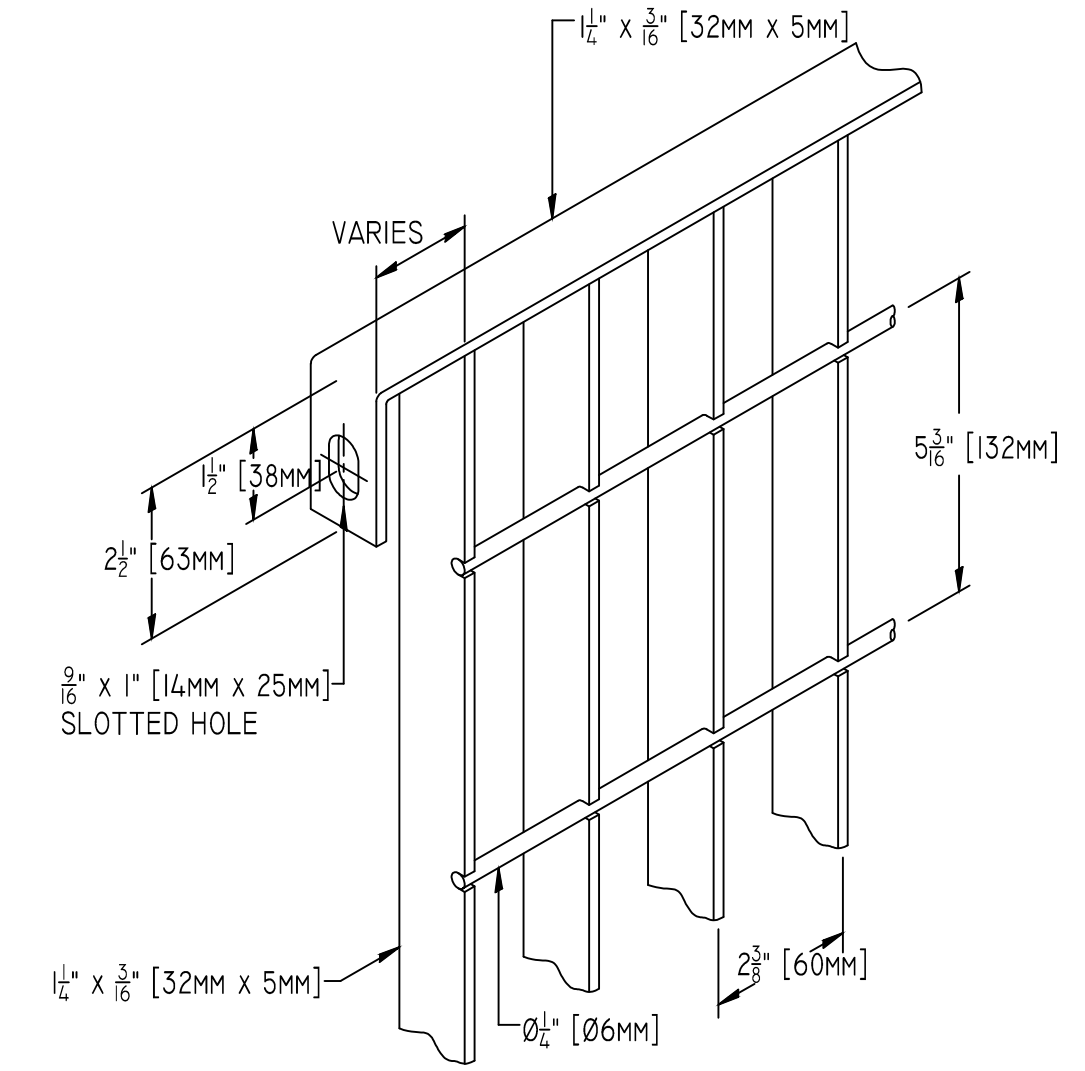
1
AI SCALE: N.T.S.
PANEL DETAIL GRIGLIATO "A"
FOR ATTACHMENT BRACKETS



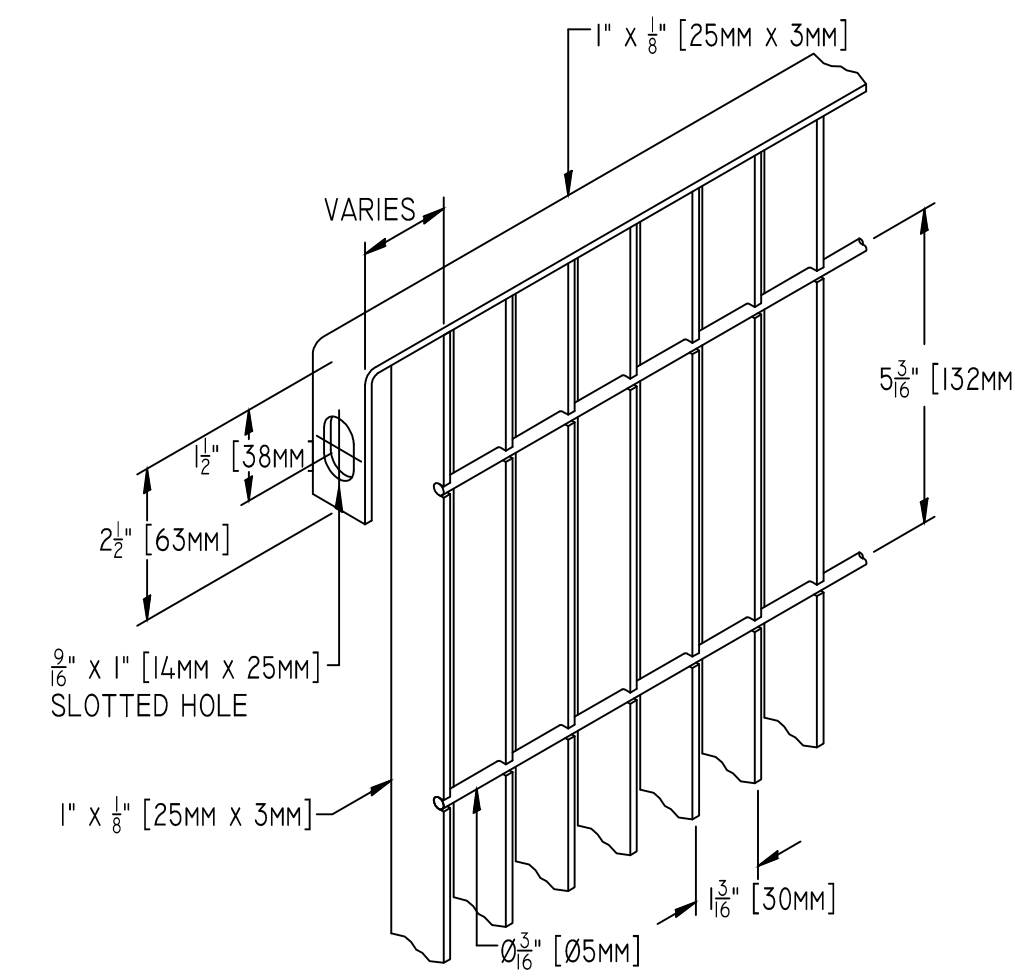
2
AI SCALE: N.T.S.
PANEL DETAIL GRIGLIATO "B"
FOR ATTACHMENT BRACKETS



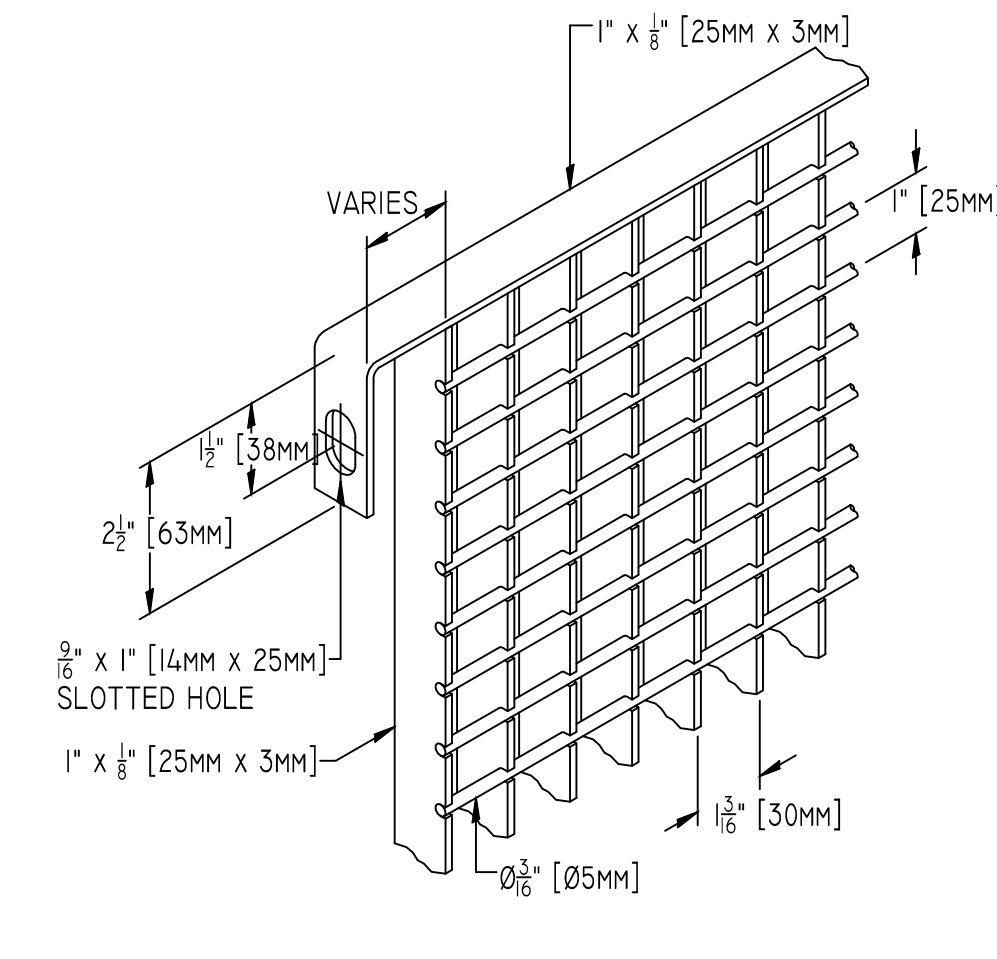
3
AI SCALE: N.T.S.
PANEL DETAIL GRIGLIATO "C"
FOR ATTACHMENT BRACKETS



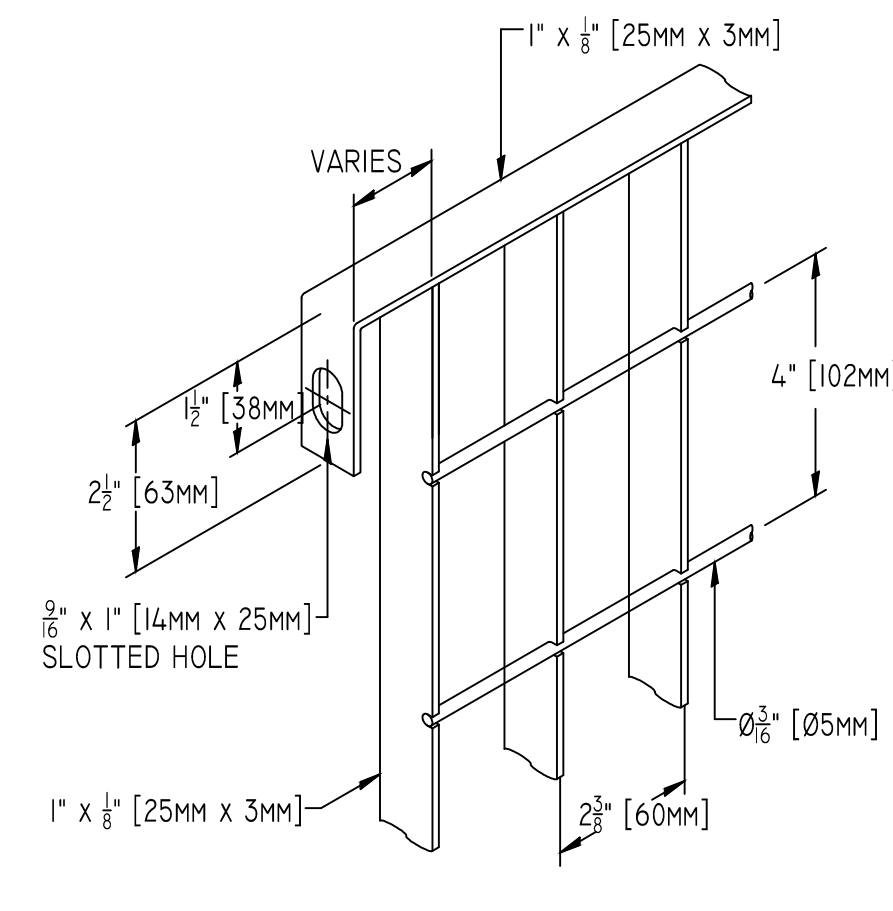
4
AI SCALE: N.T.S.
PANEL DETAIL GRIGLIATO "D"
FOR ATTACHMENT BRACKETS



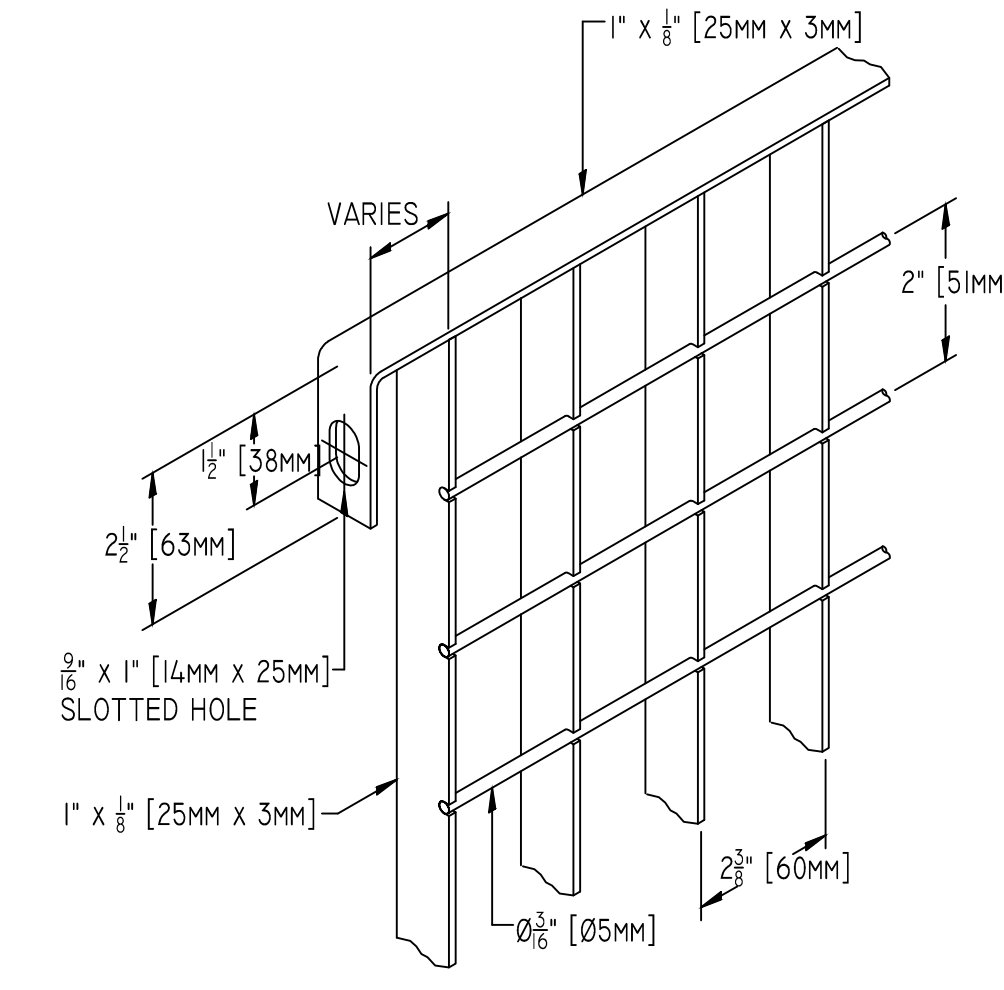
5
AI SCALE: N.T.S.
PANEL DETAIL GRIGLIATO "E"
FOR ATTACHMENT BRACKETS



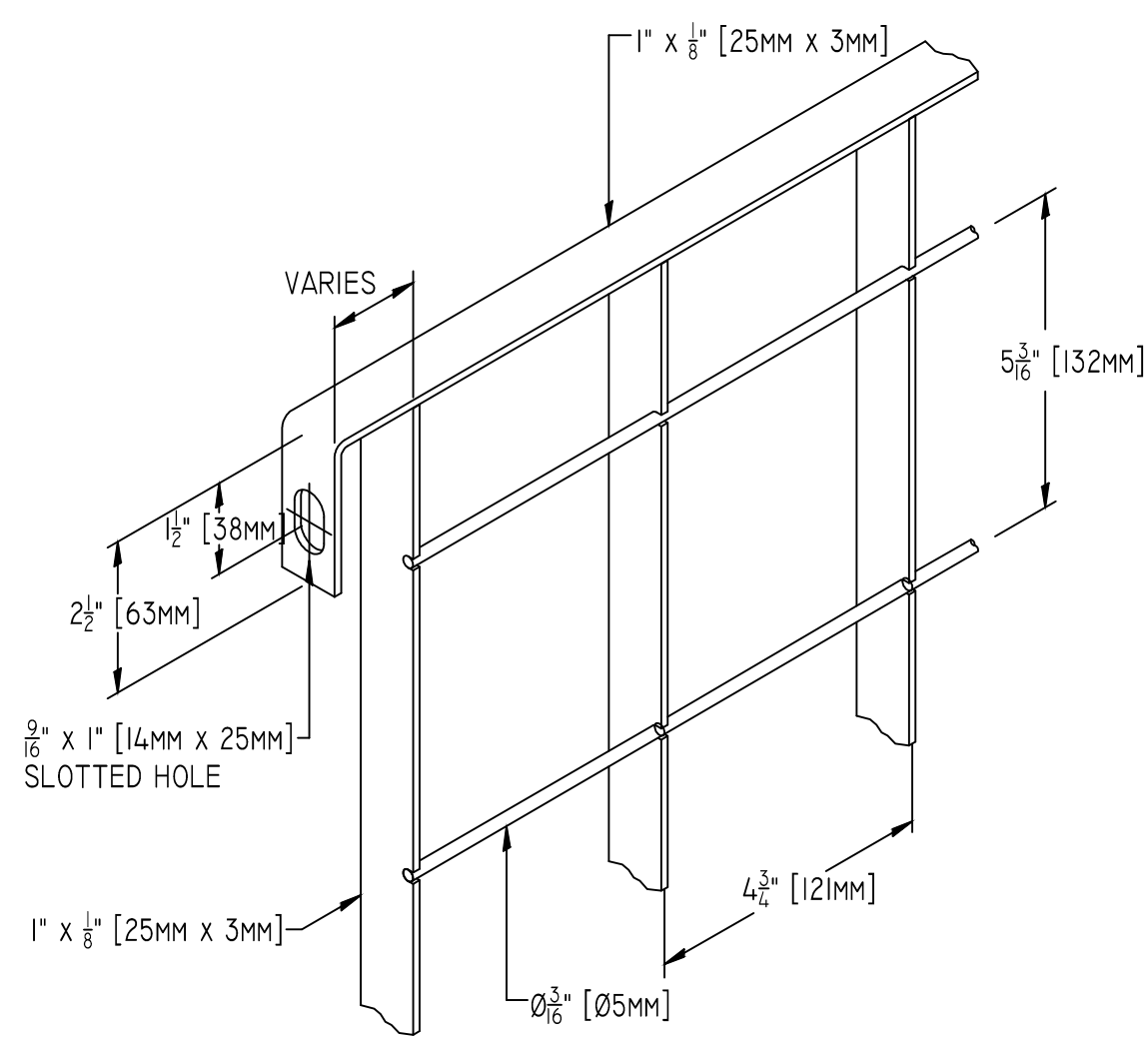
6
AI SCALE: N.T.S.
PANEL DETAIL GRIGLIATO "F"
FOR ATTACHMENT BRACKETS



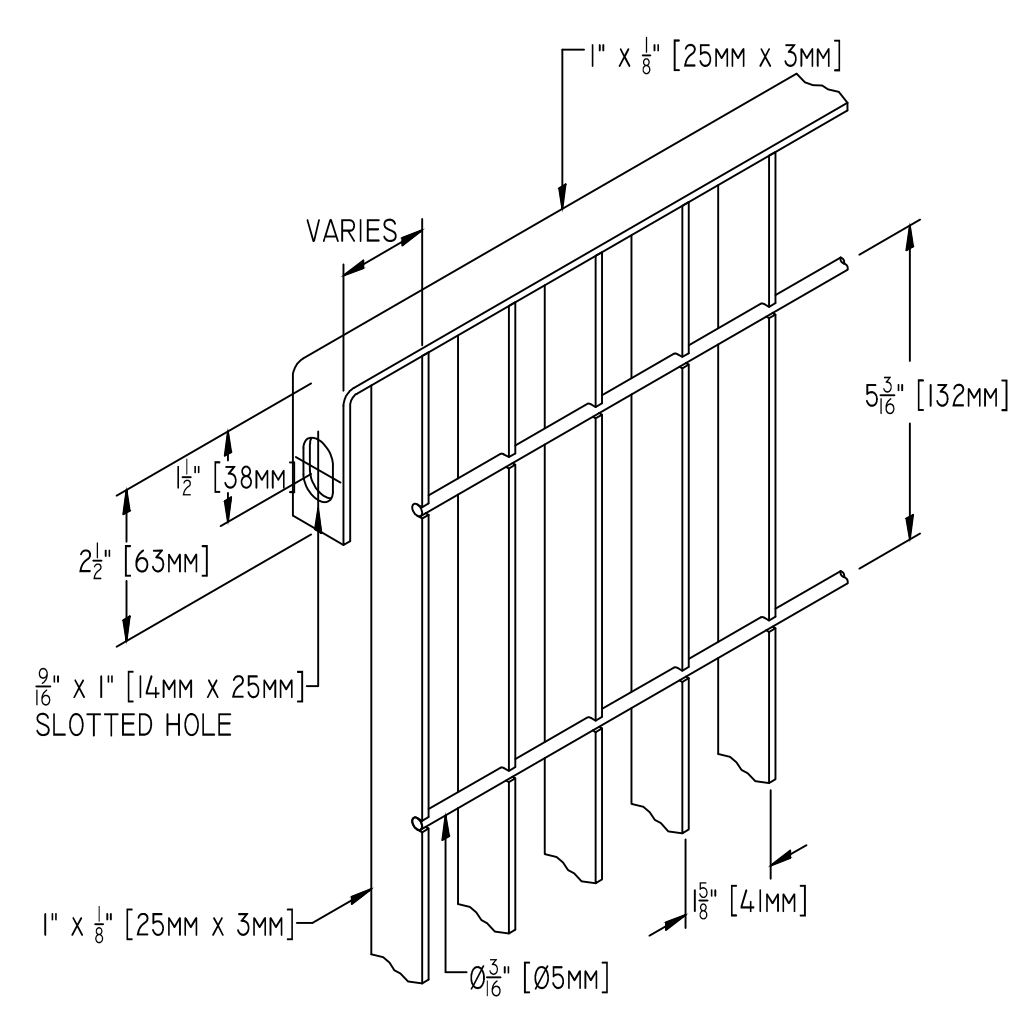
7
AI SCALE: N.T.S.
PANEL DETAIL GRIGLIATO "G"
FOR ATTACHMENT BRACKETS



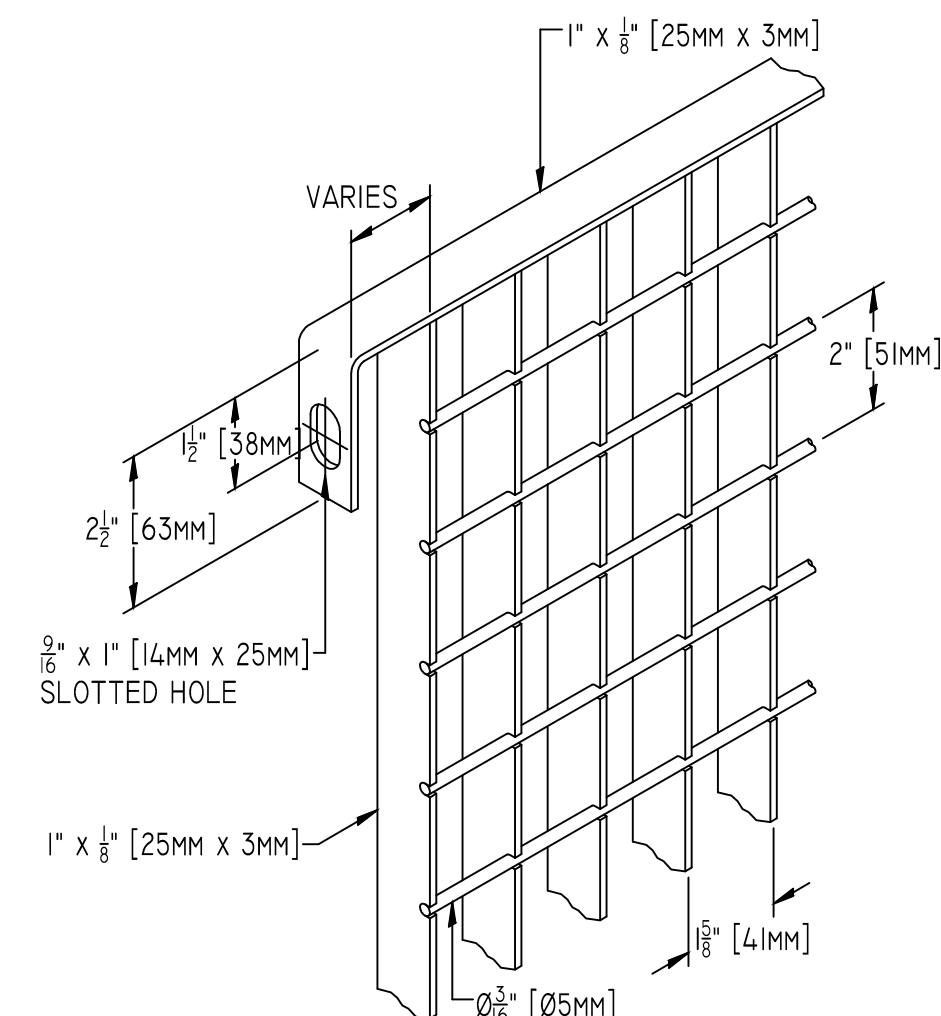
8
AI SCALE: N.T.S.
PANEL DETAIL GRIGLIATO "H"
FOR ATTACHMENT BRACKETS



9
AI SCALE: N.T.S.
PANEL DETAIL GRIGLIATO "J"
FOR ATTACHMENT BRACKETS



10
AI SCALE: N.T.S.
PANEL DETAIL GRIGLIATO "K"
FOR ATTACHMENT BRACKETS



11
AI SCALE: N.T.S.
PANEL DETAIL GRIGLIATO "L"
FOR ATTACHMENT BRACKETS

THIS DRAWING IN DESIGN AND DETAIL IS THE SOLE PROPERTY OF METALCO (ATLANTIS PRODUCTS, INC.) AND MAY NOT BE USED FOR ANY PURPOSE WHATSOEVER OTHER THAN FOR OUR MANUFACTURING FACILITY AND INSTALLATION OF OUR PRODUCTS. THIS DOCUMENT OR ANY PART THEREOF MAY NOT BE REPRODUCED IN ANY MANNER WHATSOEVER AND SHALL BE RETURNED TO US UPON REQUEST. ALL RIGHTS RESERVED.

DATE SENT _____ INITIALS _____

REV. DATE	
REV. BY	
REVISED ITEMS	
REV. NO.	AI
CONTENTS	PANEL DETAIL GRIGLIATO WITH ATTACHMENT BRACKETS
PROJECT	TYPICAL GRIGLIATO FENCE SYSTEM WITH BRACKETS
ADDRESS	
DRAWN BY	BHD
CHECKED BY	FC
SCALE	AS NOTED
DATE	05/17/11
JOB NO.	D-GLTO-B
SHEET NO.	AI

metalco®
566 TERRITORIAL DRIVE - UNIT H
BOLINGBROOK, IL 60440
TEL: (630) 971-9680 FAX: (630) 971-9860