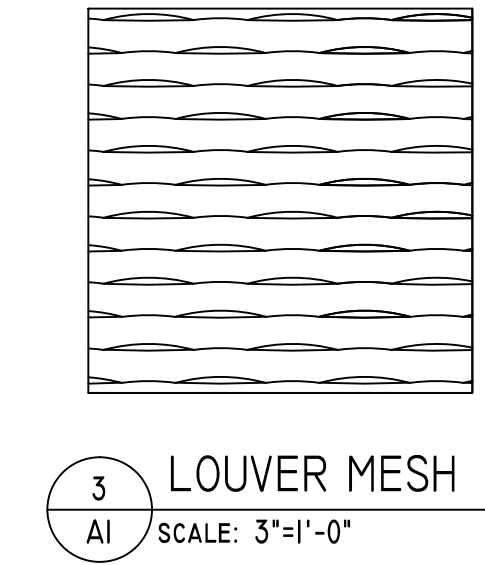
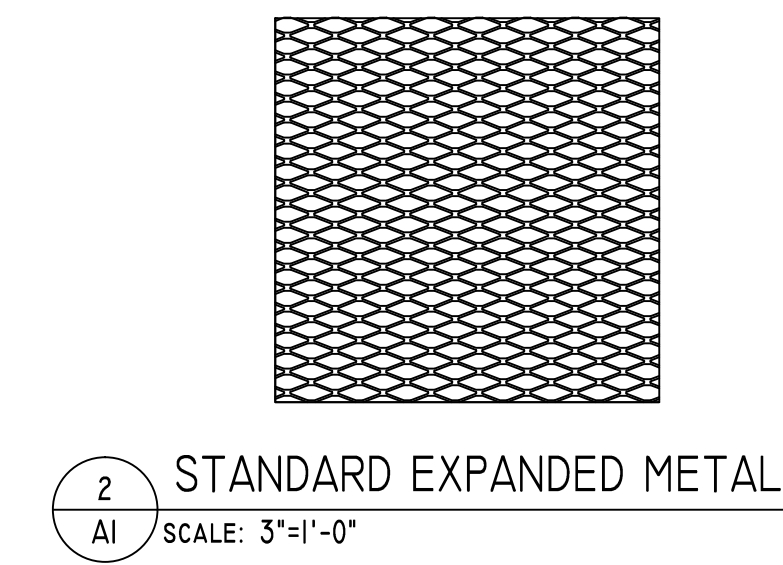
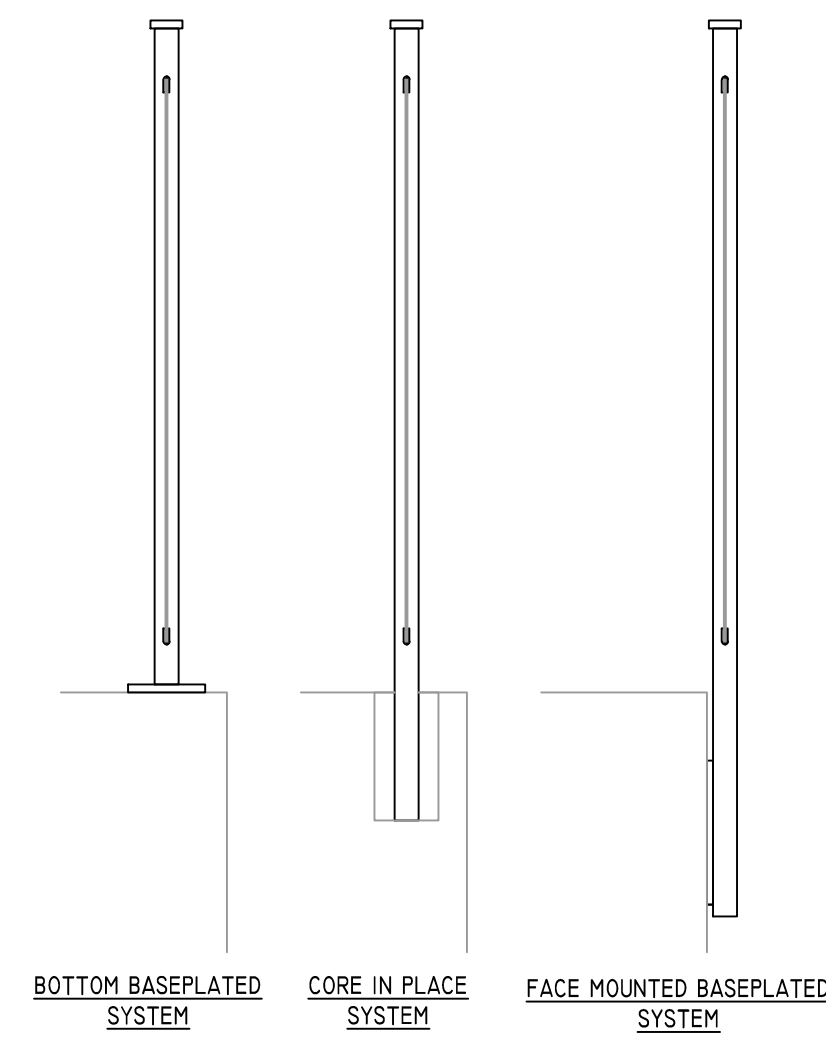


1 TYPICAL "SELECT" EXPANDED METAL RAILING SYSTEM  
AI SCALE: 1"=1'-0"



THIS DRAWING IN DESIGN AND DETAIL IS THE SOLE PROPERTY OF METALCO (ATLANTIS PRODUCTS, INC. ) AND MAY NOT BE USED FOR ANY PURPOSE WHATSOEVER OTHER THAN FOR OUR MANUFACTURING FACILITY AND INSTALLATION OF OUR PRODUCTS. THIS DOCUMENT OR ANY PART THEREOF MAY NOT BE REPRODUCED IN ANY MANNER WHATSOEVER AND SHALL BE RETURNED TO US UPON REQUEST. ALL RIGHTS RESERVED.

DATE SENT \_\_\_\_\_ INITIALS \_\_\_\_\_

REV. NO.	REV. BY	REVISED ITEMS	REV. DATE
△			
△			
△			
△			

CONTENTS:  
"SELECT" EXPANDED METAL RAILING INFILL PANEL DETAILS

**metalco**<sup>®</sup>  
566 TERRITORIAL DRIVE - UNIT H  
BOLINGBROOK, IL 60440  
TEL: (630) 971-9680 FAX: (630) 971-9860

PROJECT: "SELECT" EXPANDED METAL RAILING SYSTEM  
ADDRESS:

DRAWN BY: BHD  
CHECKED BY: FC

SCALE: AS NOTED  
DATE: 12/18/2014

JOB NO.: S-EXPAND

SHEET NO.: AI