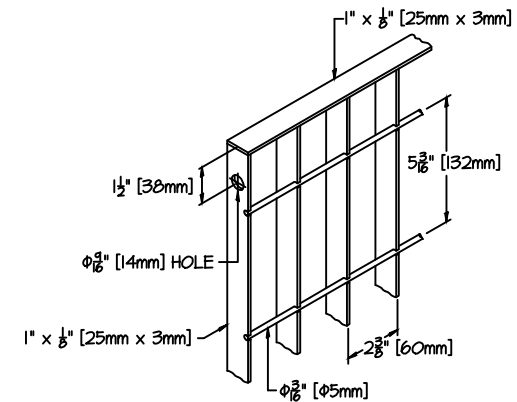
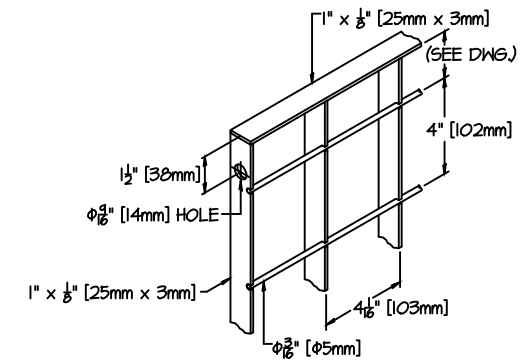


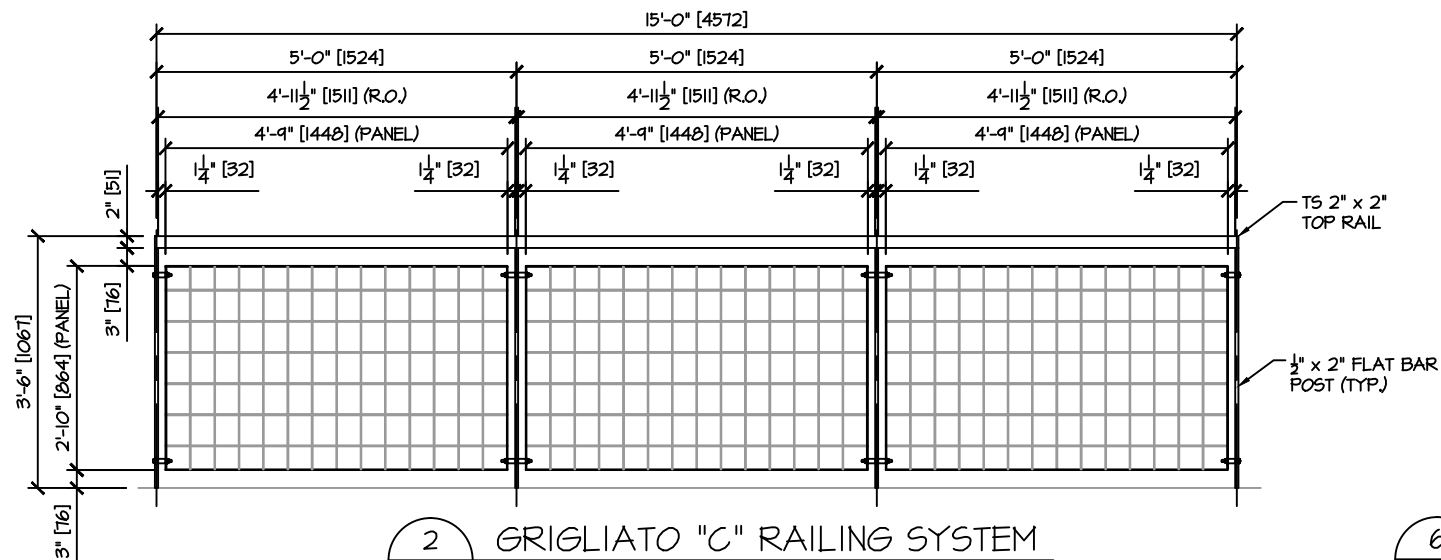
1 GRIGLIATO "A" RAILING SYSTEM
SKI SCALE: 3/8"=1'-0"



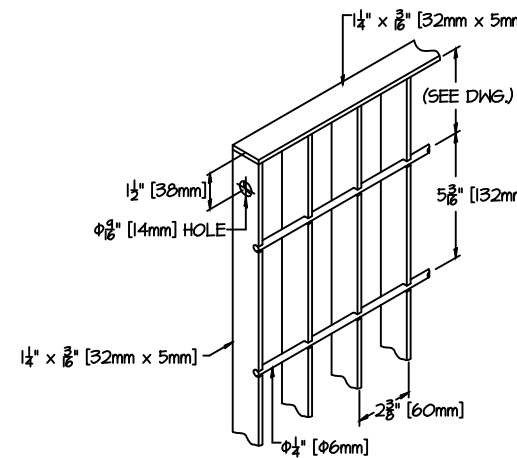
4 GRIGLIATO "A" RAILING DETAIL
SKI SCALE: 1-1/2"=1'-0"



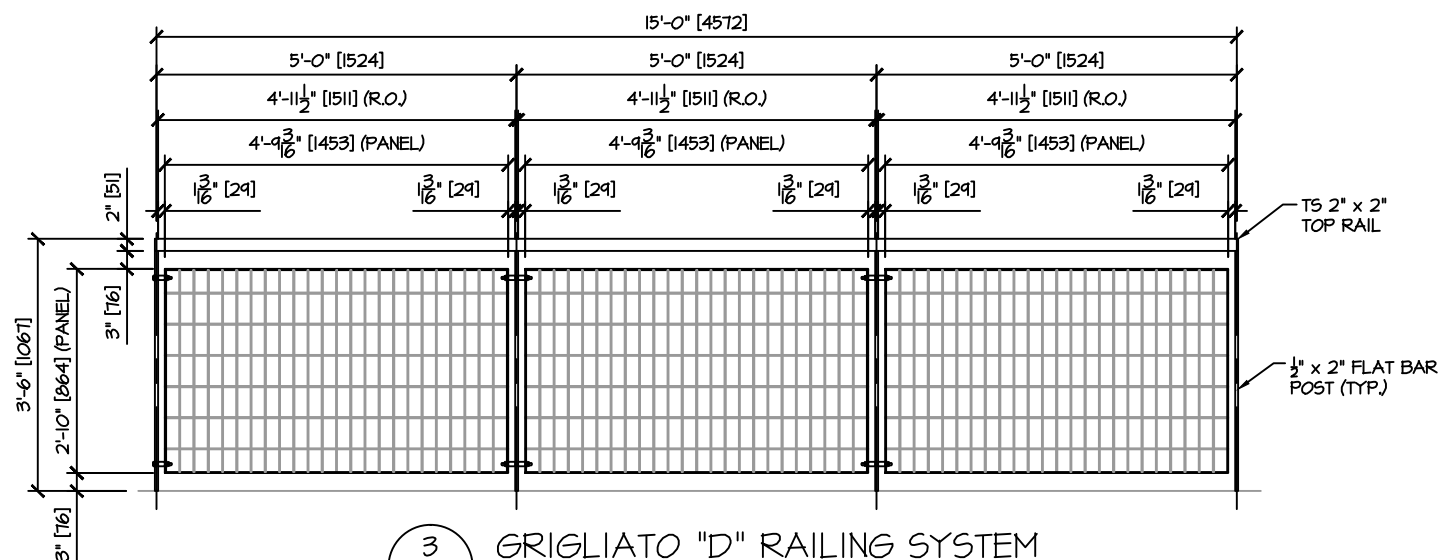
5 GRIGLIATO "C" RAILING DETAIL
SKI SCALE: 1-1/2"=1'-0"



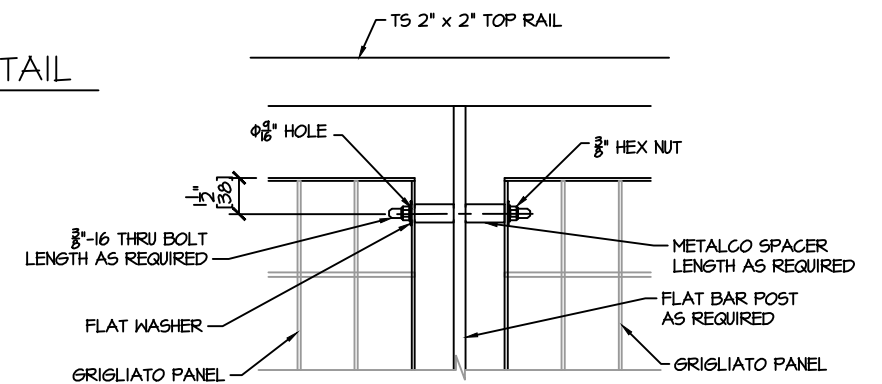
2 GRIGLIATO "C" RAILING SYSTEM
SKI SCALE: 3/8"=1'-0"



6 GRIGLIATO "D" RAILING DETAIL
SKI SCALE: 1-1/2"=1'-0"




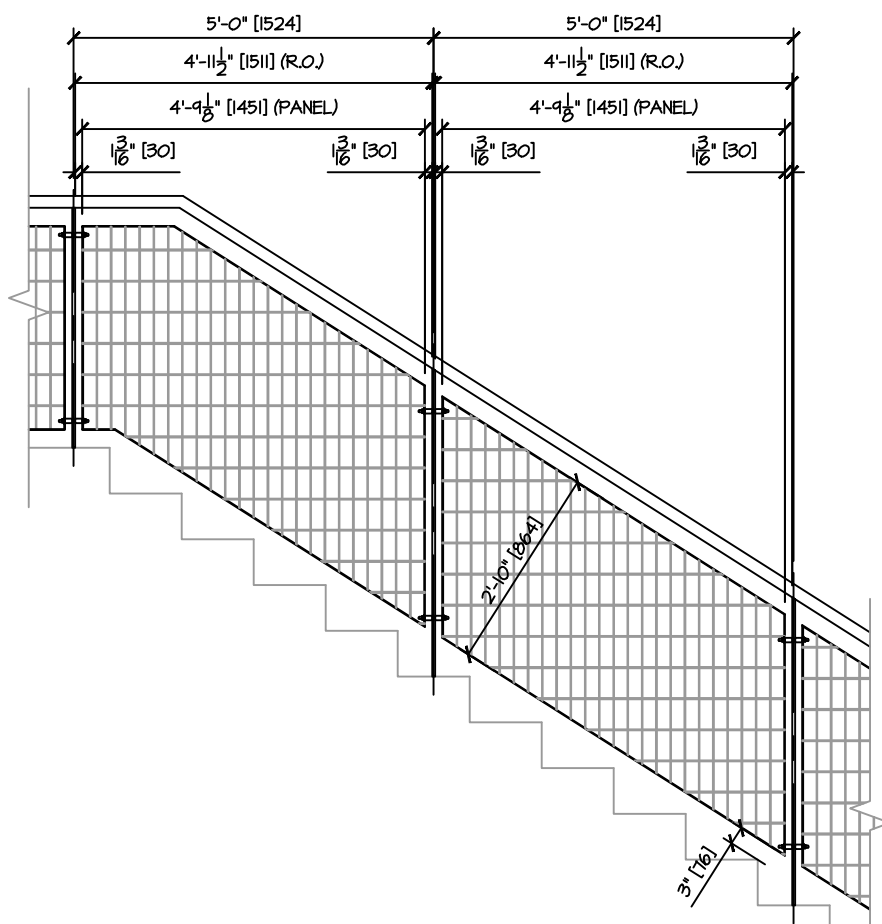
3 GRIGLIATO "D" RAILING SYSTEM
SKI SCALE: 3/8"=1'-0"



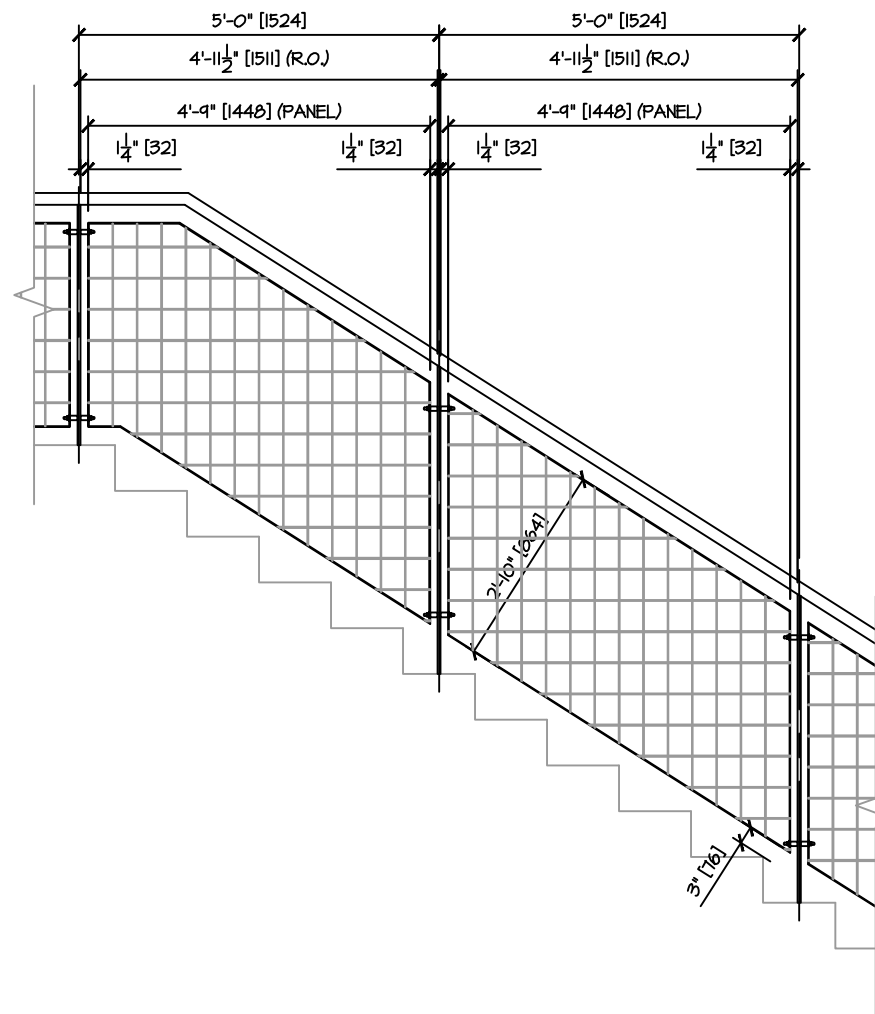
7 TYPICAL CONNECTION DETAIL
SKI SCALE: N.T.S.

THIS DRAWING IN DESIGN AND DETAIL IS THE SOLE PROPERTY OF METALCO (ATLANTIS PRODUCTS, INC.) AND MAY NOT BE USED FOR ANY PURPOSE WHATSOEVER OTHER THAN FOR OUR MANUFACTURING FACILITY AND INSTALLATION OF OUR PRODUCTS. THIS DOCUMENT OR ANY PART THEREOF MAY NOT BE REPRODUCED IN ANY MANNER WHATSOEVER AND SHALL BE RETURNED TO US UPON REQUEST. ALL RIGHTS RESERVED.

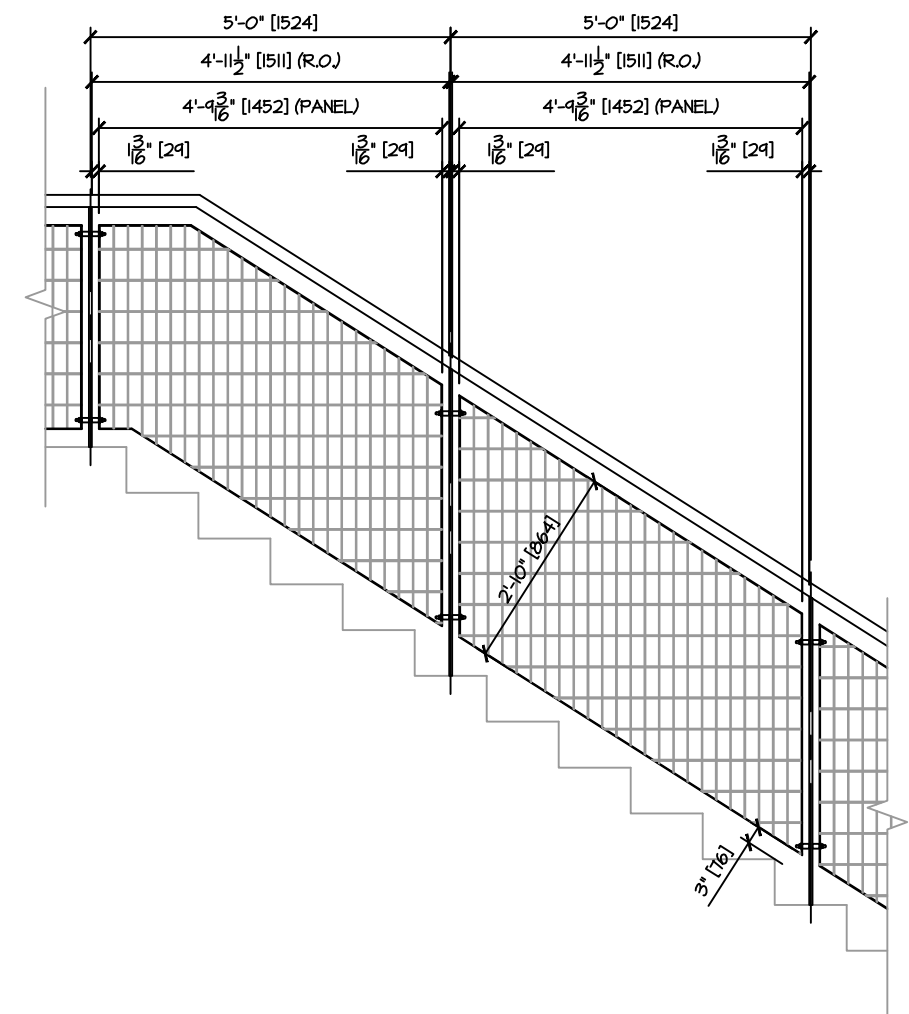
DRAWN BY: BHD	 586 TERRITORIAL DRIVE - UNIT H BOLINGBROOK, IL 60440 TEL. (630) 971-9880 FAX (630) 971-9860	SHEET NO.:
CHECKED BY: FC		TITLE: TYPICAL GRIGLIATO RAILING SYSTEMS W/ SPACERS
SCALE: AS NOTED		
DATE: 01/19/12		



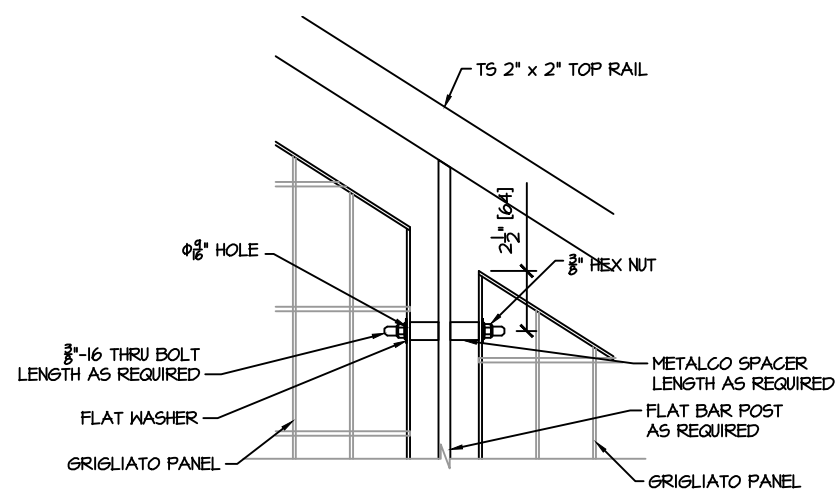
1 GRIGLIATO "A" SLOPED RAILING SYSTEM
SK2 SCALE: 3/8"=1'-0"



2 GRIGLIATO "C" SLOPED RAILING SYSTEM
SK2 SCALE: 3/8"=1'-0"



3 GRIGLIATO "D" SLOPED RAILING SYSTEM
SK2 SCALE: 3/8"=1'-0"



4 TYPICAL CONNECTION DETAIL FOR SLOPED PANELS
SK2 SCALE: N.T.S.

THIS DRAWING IN DESIGN AND DETAIL IS THE SOLE PROPERTY OF METALCO (ATLANTIS PRODUCTS, INC.) AND MAY NOT BE USED FOR ANY PURPOSE WHATSOEVER OTHER THAN FOR OUR MANUFACTURING FACILITY AND INSTALLATION OF OUR PRODUCTS. THIS DOCUMENT OR ANY PART THEREOF MAY NOT BE REPRODUCED IN ANY MANNER WHATSOEVER AND SHALL BE RETURNED TO US UPON REQUEST. ALL RIGHTS RESERVED.

DRAWN BY: BHD	wetalco [®] 586 TERRITORIAL DRIVE - UNIT H BOLINGBROOK, IL 60440 TEL. (630) 971-9880 FAX (630) 971-9860	SHEET NO: SK2
CHECKED BY: FC		
SCALE: AS NOTED	TITLE: TYPICAL GRIGLIATO RAILING SYSTEMS W/ SPACERS	
DATE: 01/19/12		